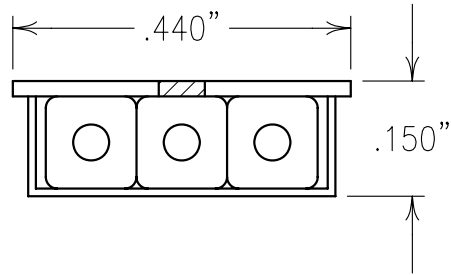


2

1

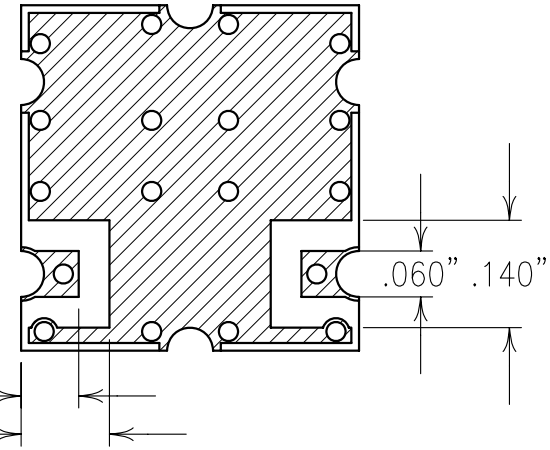
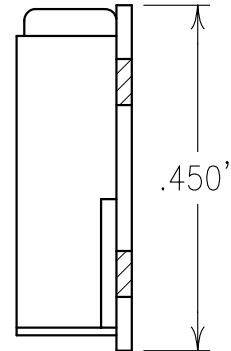
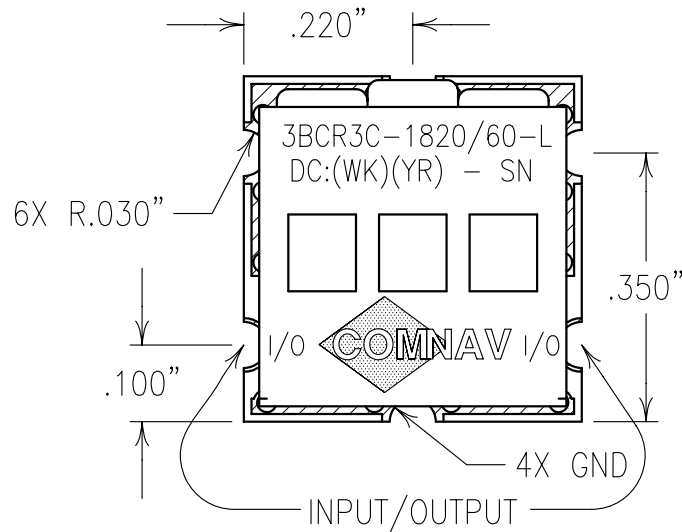


COPY

ELECTRICAL CHARACTERISTICS

CENTER FREQUENCY: 1820 MHz
 1 dB BANDWIDTH: 1790 ±1 MHz TO 1850 ±1 MHz
 INSERTION LOSS @ FO: 4.0 dB MAX @ FO
 VSWR: 2.0:1 TYPICAL
 PHASE LINEARITY: ±10° @ 1791 TO 1849 MHz
 REJECTION:
 60 dBc MIN @ 1000-1400 MHz
 65 dBc MIN @ DC-1000 MHz
 70 dBc MIN @ 2920-4200 MHz

B



NOTES:

RECOMMENDED ATTACHMENT METHOD: SILVER EPOXY
 OR REFLOW NOT TO EXCEED AS INDICATED BELOW:

TEMP.(°C) MAX.TIME(SEC)

215	90
230	60
245	30
260	15

RECOMMENDED FOOTPRINT: FP0093.

FILTER IS ROHS COMPLIANT.

FILTER MAY BE ETCHED OR LABELED.

Confidential and Proprietary information of ComNav Engineering Inc. Do Not Duplicate or Use Without Permission. ComNav Engineering Inc. claims Copyright in this document as of the Creation, last revision, and last updated dates. All Rights Reserved.

ENGLISH / METRIC ENGLISH		CHECKED BY							
TOLERANCES UNLESS OTHERWISE SPECIFIED		DRAWN BY		PBF					
MACHINED SURFACES TO BE 125 OR BETTER REMOVE ALL BURRS		ENGINEER		KJR		REV		DATE	
ENGLISH (INCHES)		METRIC (MM)		SCALE		APPLIC:			
.XX ±.02 .XXX ±.010		.X ±.5 .XX ±.25		4:1		CERAMIC COAXIAL FILTER			
ANGLES ± 0° 30'		DATE		30JAN06		TITLE:			
						3BCR3C-1820/60-L			
FINISH:		BOARD: NI/AU PLATED COPPER				DRAWING No.		SHEET OF	
COMNAV ENGINEERING INC		JACKET: NI/SILVER RESONATOR: SILVER				0L0628		1 1	

A