

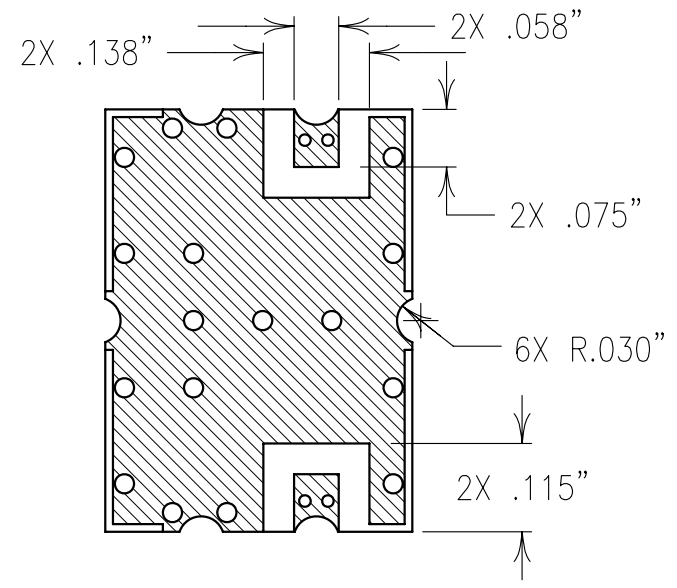
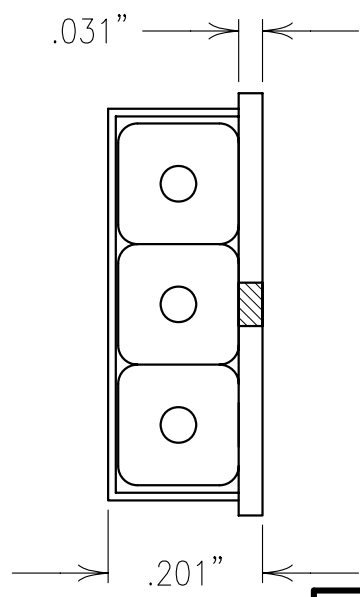
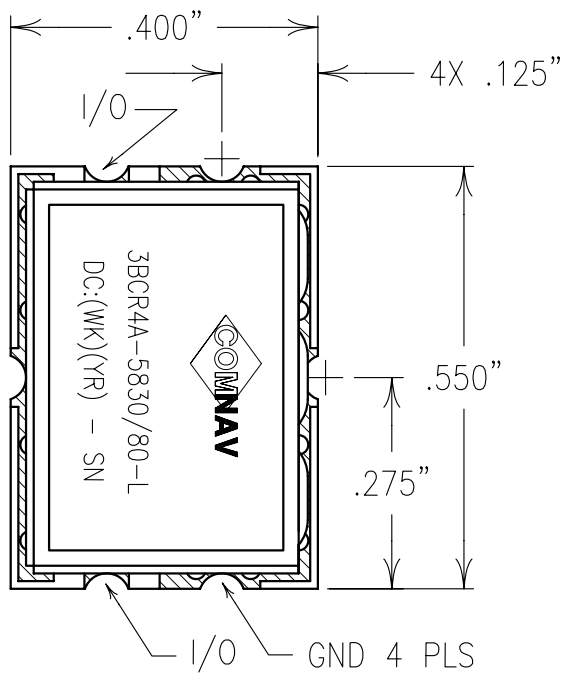
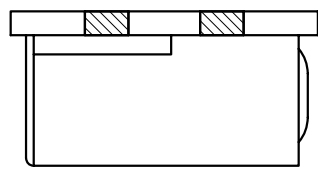
2

1

COPY

ELECTRICAL CHARACTERISTICS

CENTER FREQUENCY: 5830 MHz
 PASSBAND: 5810-5850 MHz
 PASSBAND LOSS: 2.7 dB TYP 3.0 dB MAX
 3 dB BANDWIDTH: 80 MHz NOM
 VSWR: 1.7:1 TYP
 REJECTION:
 15 dB MIN @ 5725-5742 MHz
 OPERATING TEMP: -40 TO +70 °C
 POWER HANDLING: 1 WATT MIN



NOTES:
 FOR RECOMMENDED FOOTPRINT SEE FP0007.
 RECOMMENDED ATTACHMENT METHOD: SILVER EPOXY
 OR REFLOW NOT TO EXCEED AS INDICATED BELOW:
 TEMP.(°C) MAX.TIME(SEC)
 215 90
 230 60
 245 30
 260 15

FILTER MAY BE ETCHED OR LABELED.
 FILTER IS ROHS COMPLIANT

Confidential and Proprietary information of ComNav Engineering Inc. Do Not Duplicate or Use Without Permission. ComNav Engineering Inc. claims Copyright in this document as of the Creation, last revision, and last updated dates. All Rights Reserved.

| | | | | | | | | | |
|---------------------------------------|--|--|--|-------|--|--------------------------------|--|--------------------|--|
| ENGLISH / METRIC ENGLISH | | CHECKED BY | | | | | | | |
| TOLERANCES UNLESS OTHERWISE SPECIFIED | | DRAWN BY | | PBF | | | | | |
| MACHINED SURFACES TO BE 125 OR BETTER | | ENGINEER | | KJR | | DEV. | | INI. ISS. PER 2476 | |
| REMOVE ALL BURRS | | REV | | DATE | | BY | | DCN No. | |
| ENGLISH (INCHES) | | METRIC (MM) | | SCALE | | APPLIC: CERAMIC COAXIAL FILTER | | | |
| .XX ±.02 | | .X ±.50 | | 4:1 | | TITLE: 3BCR4A-5830/80-L | | | |
| .XXX ±.010 | | .XX ±.25 | | DATE | | | | | |
| ANGLES ± 0° 30' | | 26JAN06 | | | | | | | |
| COMNAV ENGINEERING INC | | FINISH: BOARD: NI/AU PLATED COPPER JACKET: NI/SILVER RESONATOR: SILVER | | | | DRAWING No. 0L0625 | | SHEET OF 1 1 | |