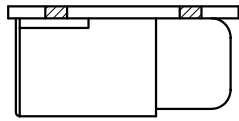


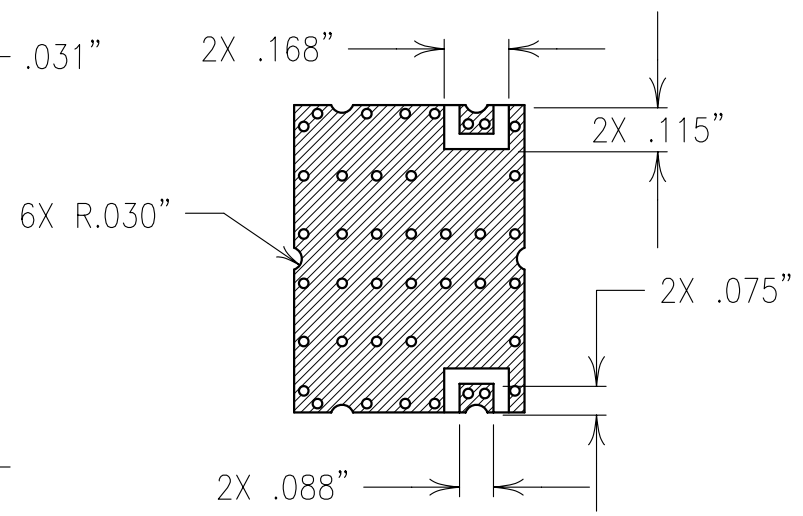
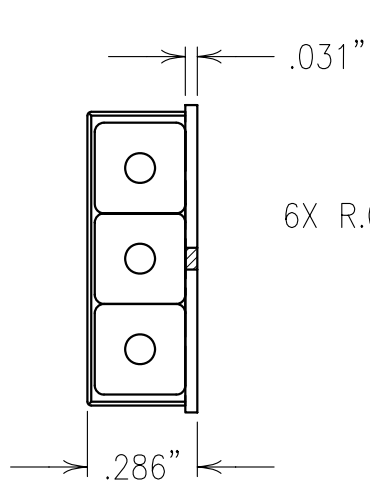
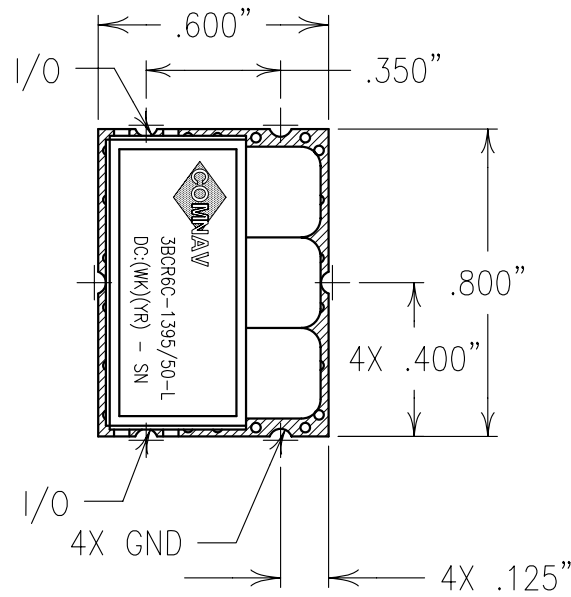
2

1



COPY

ELECTRICAL CHARACTERISTICS	
CENTER FREQUENCY	1395 MHz
3 dB BANDWIDTH	50 MHz NOM.
LOSS @ fo:	<1.0 dB
REJECTION:	
20 dBc	fo±70 MHz
30 dBc	fo±90 MHz
50 dBc	fo±190 MHz
60 dBc	fo±270 MHz



NOTES:
 FOR RECOMMENDED FOOTPRINT SEE FP0028.
 RECOMMENDED ATTACHMENT METHOD: SILVER EPOXY
 OR REFLOW NOT TO EXCEED AS INDICATED BELOW:
 TEMP.(°C) MAX.TIME(SEC)

215	90	
230	60	
245	30	FILTER IS ROHS COMPLIANT.
260	15	FILTER MAY BE LABELED OR ETCHED.

Confidential and Proprietary information of ComNav Engineering Inc. Do Not Duplicate or Use Without Permission. ComNav Engineering Inc. claims Copyright in this document as of the Creation, last revision, and last updated dates. All Rights Reserved.

ENGLISH / METRIC ENGLISH	CHECKED BY				
TOLERANCES UNLESS OTHERWISE SPECIFIED	DRAWN BY PBF				
MACHINED SURFACES TO BE 125 / OR BETTER REMOVE ALL BURRS	ENGINEER KJR	II	15DEC05	KJR	DEV. INI. ISS. PER 2463
ENGLISH (INCHES) .XX ±.02 .XXX ±.010	METRIC (MM) .X ±.5 .XX ±.25	SCALE 2:1	APPLIC: CERAMIC COAXIAL FILTER		
ANGLES ± 0° 30'	DATE 15DEC05	TITLE: 3BCR6C-1395/50-L			
	FINISH: BOARD: NI/AU PLATED COPPER JACKET: NI/SILVER RESONATOR: SILVER	DRAWING No. 0L0618		SHEET OF 1 1	