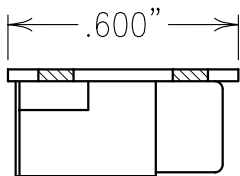


2

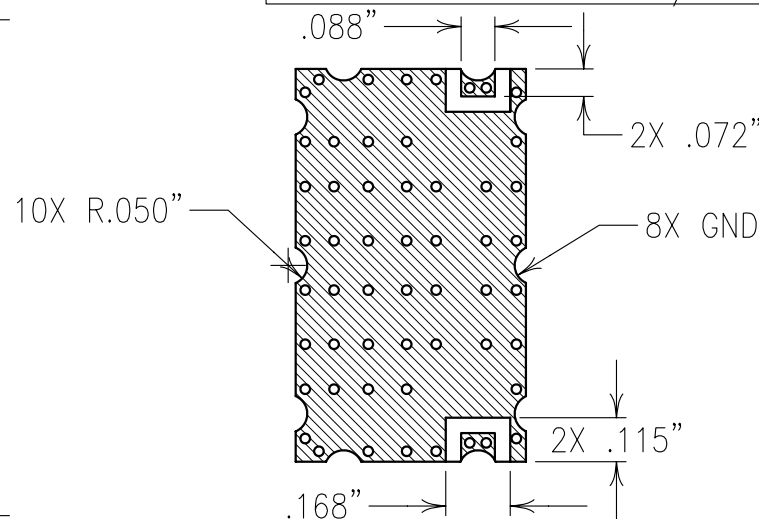
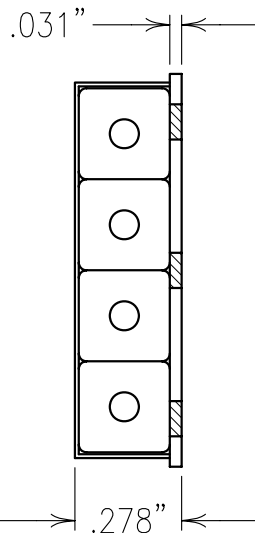
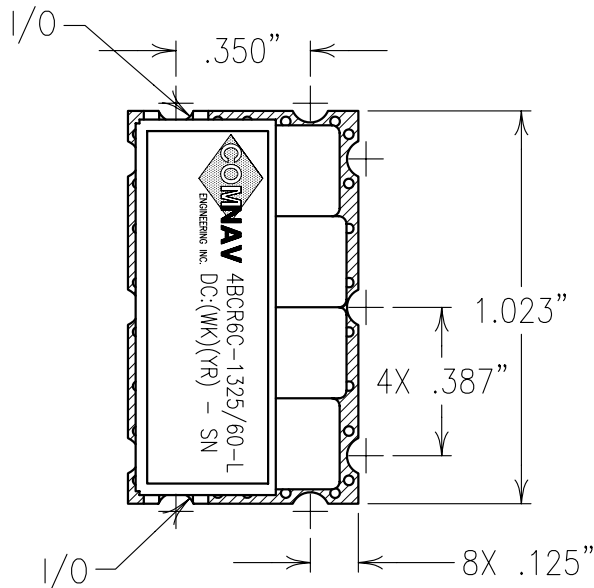
1



COPY

ELECTRICAL CHARACTERISTICS

CENTER FREQUENCY:	1325 MHz
3 dB BANDWIDTH	60 MHz NOM.
PASSBAND:	1307.5-1342.5 MHz
PASSBAND LOSS:	< 1.5 dB
PASSBAND FLATNESS:	< 0.5 dB MAX.
PASSBAND VSWR:	1.5:1
5 dBc REJECTION:	1295 MHz
20 dBc REJECTION:	1255/1395 MHz
30 dBc REJECTION:	1230/1420 MHz
50 dBc REJECTION:	1135/1515 MHz
60 dBc REJECTION:	1055/1595 MHz



Confidential and Proprietary information of ComNav Engineering Inc. Do Not Duplicate or Use Without Permission. ComNav Engineering Inc. claims Copyright in this document as of the Creation, last revision, and last updated dates. All Rights Reserved.

NOTES:
 FOR RECOMMENDED FOOTPRINT SEE FP0037.
 RECOMMENDED ATTACHMENT METHOD: SILVER EPOXY
 OR REFLOW NOT TO EXCEED AS INDICATED BELOW:

TEMP.(°C) MAX.TIME(SEC)

215	90
230	60
245	30
260	15

FILTER IS ROHS COMPLIANT.
 FILTER MAY BE LABELED OR ETCHED.

ENGLISH / METRIC ENGLISH	CHECKED BY					
TOLERANCES UNLESS OTHERWISE SPECIFIED	DRAWN BY	A	10APR06	KJR	DEV.	GEN. REV. PER 2513
MACHINED SURFACES TO BE 125 / OR BETTER	ENGINEER	II	02DEC05	KJR	DEV.	INI. ISS. PER 2458
REMOVE ALL BURRS	KJR	REV	DATE	BY	DCN No.	REMARKS
ENGLISH (INCHES)	METRIC (MM)	SCALE	APPLIC: CERAMIC COAXIAL FILTER			
.XX ±.02	.X ±.5	DATE	TITLE: 4BCR6C-1325/60-L			
.XXX ±.010	.XX ±.25	12APR06				
ANGLES ± 0° 30'	FINISH:		DRAWING No.		SHEET OF	
	BOARD: NICKEL/GOLD PLATED COPPER		0L0616		1 1	
	JACKET: NI/SILVER					
	RESONATOR: SILVER					