

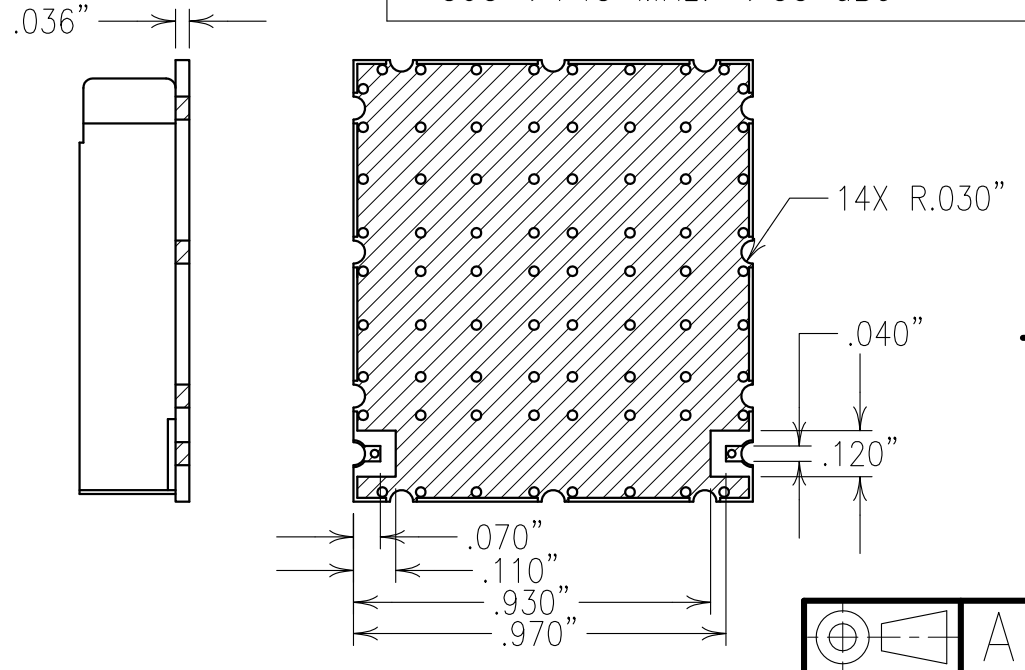
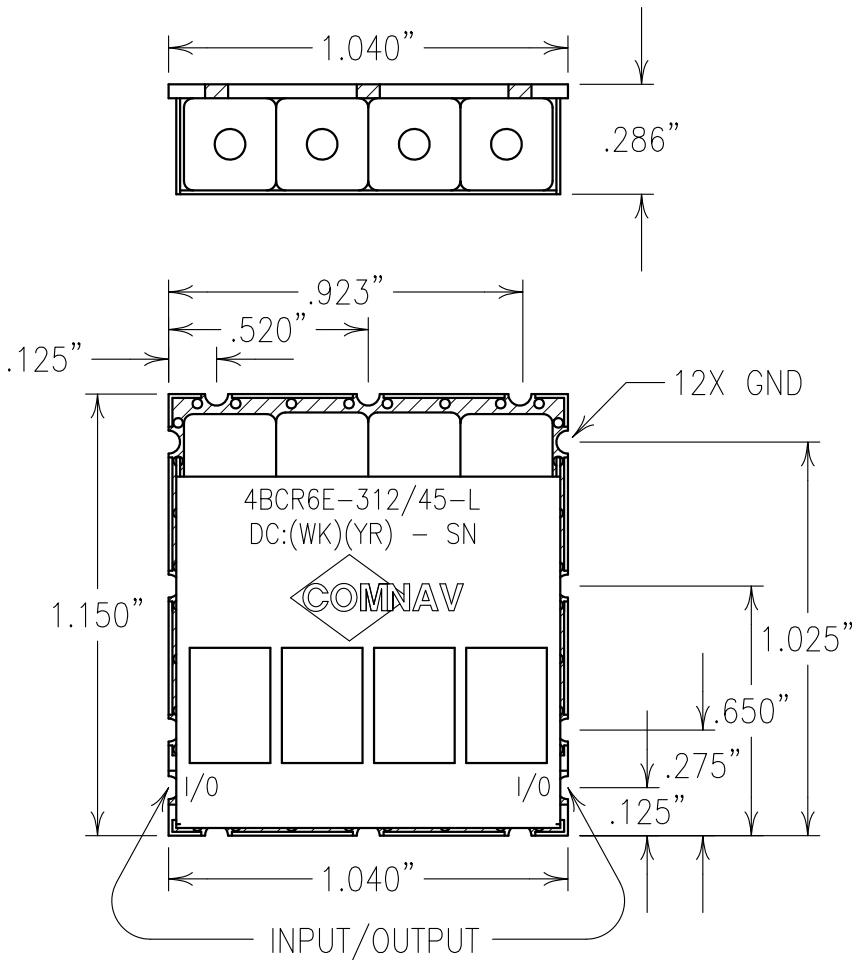
2

1

COPY

ELECTRICAL CHARACTERISTICS

CENTER FREQUENCY: 313.5 MHz NOM
 3 dB BANDWIDTH: 45 MHz nom.
 PASSBAND: 300-327 MHz
 LOSS: <0.9 dB
 VSWR: <1.3:1
 REJECTION:
 DC->265 MHz: >35 dBc
 395->745 MHz: >35 dBc



Confidential and Proprietary information of ComNav Engineering Inc. Do Not Duplicate or Use Without Permission. ComNav Engineering Inc. claims Copyright in this document as of the Creation, last revision, and last updated dates. All Rights Reserved.

NOTES: RECOMMENDED ATTACHMENT METHOD: SILVER EPOXY OR REFLOW NOT TO EXCEED AS INDICATED BELOW:
 TEMP.(°C) MAX.TIME(SEC)

| | |
|-----|----|
| 215 | 90 |
| 230 | 60 |
| 245 | 30 |
| 260 | 15 |

FILTER IS ROHS COMPLIANT.
 FILTER MAY BE LABELED OR ETCHED.

| | | |
|--|----------------------------------|---------------------------|
| ENGLISH / METRIC ENGLISH | CHECKED BY C 17JAN17 KJR DEV. | GEN. REV. PER 4081 |
| TOLERANCES UNLESS OTHERWISE SPECIFIED MACHINED SURFACES TO BE 125 OR BETTER REMOVE ALL BURRS | DRAWN BY B 14FEB06 KJR DEV. | GEN. REV. PER 2484 |
| ENGINEER KJR | A 04NOV05 KJR DEV. | GEN. REV. PER 2444 |
| SCALE 2:1 | REV DATE BY DCN No. | REMARKS |
| APPLIC: COAXIAL FILTER | DATE 17JAN17 | TITLE: 4BCR6E-312/45-L |
| FINISH: BOARD: NI/AU PLATED COPPER JACKET: NI/SILVER RESONATOR: SILVER | ANGLES ± 0° 30' | DRAWING No. 0L0610 |
| COMNAV ENGINEERING INC. | | SHEET OF 1 1 |