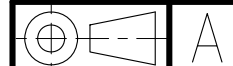
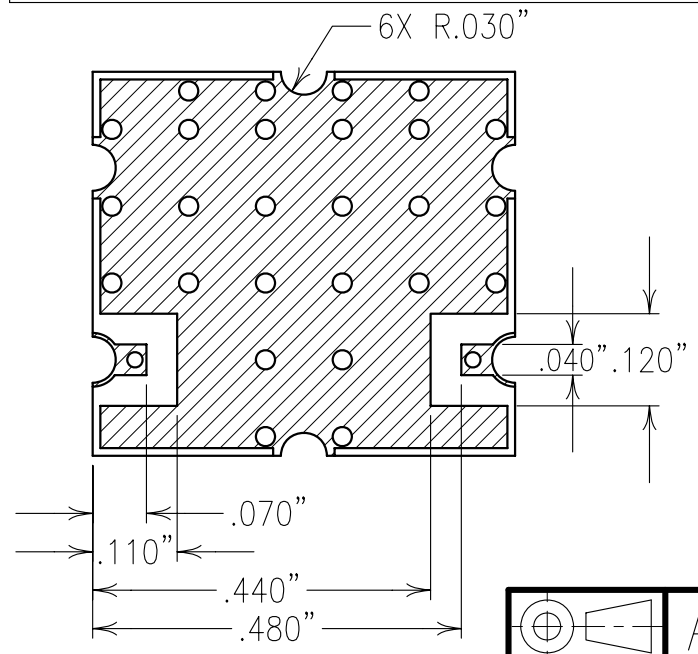
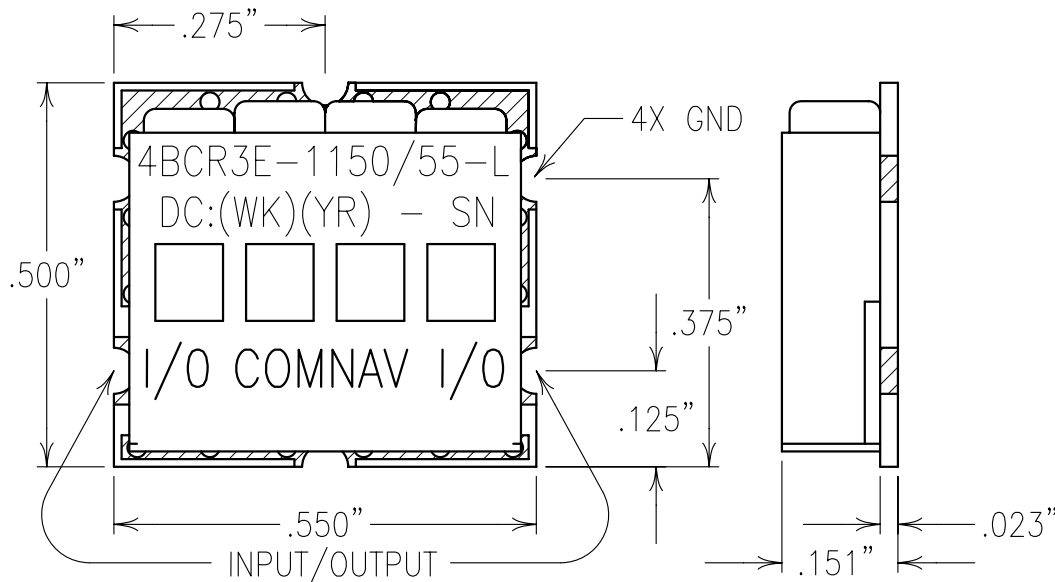


**COPY**

ELECTRICAL CHARACTERISTICS	
CENTER FREQUENCY:	1150 MHz NOM
0.1 dB BANDWIDTH:	24.5 MHz MIN
0.4 dB BANDWIDTH:	30 MHz MIN
INSERTION LOSS @ 0.4 dB BW:	3 dB MAX
15 dB BANDWIDTH:	78 MHz MAX
REJECTION @ 900 MHz:	65 dB MIN
ULTIMATE ATTENUATION:	80 dB @ 50-500, 1500-2200 MHz
GDV @ 0.1 dB BW:	1.5 NSEC MAX @ ANY 6 MHz SPAN



Confidential and Proprietary information of ComNav Engineering Inc. Do Not Duplicate or Use Without Permission. ComNav Engineering Inc. claims Copyright in this document as of the Creation, last revision, and last updated dates. All Rights Reserved.

NOTES: RECOMMENDED ATTACHMENT METHOD: SILVER EPOXY OR REFLOW NOT TO EXCEED AS INDICATED BELOW:

TEMP.(°C)	MAX.TIME(SEC)
215	90
230	60
245	30
260	15

FILTER IS ROHS COMPLIANT.  
FILTER MAY BE LABELED OR ETCHED.

ENGLISH / METRIC ENGLISH	CHECKED BY				
TOLERANCES UNLESS OTHERWISE SPECIFIED MACHINED SURFACES TO BE 125 / OR BETTER REMOVE ALL BURRS	DRAWN BY PBF	II	240CT05	KJR	DEV.
ENGLISH (INCHES) .XX ±.01 .XXX ±.005	ENGINEER KJR	REV	DATE	BY	DCN No.
METRIC (MM) .X ±.25 .XX ±.13	SCALE 4:1	APPLIC: COAXIAL FILTER			
ANGLES ± 0° 30'	DATE 260CT05	TITLE: 4BCR3E-1150/55-L			
	FINISH: BOARD: NI/AU PLATED COPPER JACKET: NI/SILVER RESONATOR: SILVER	DRAWING No.		SHEET OF 1 1	
		0L0609			