

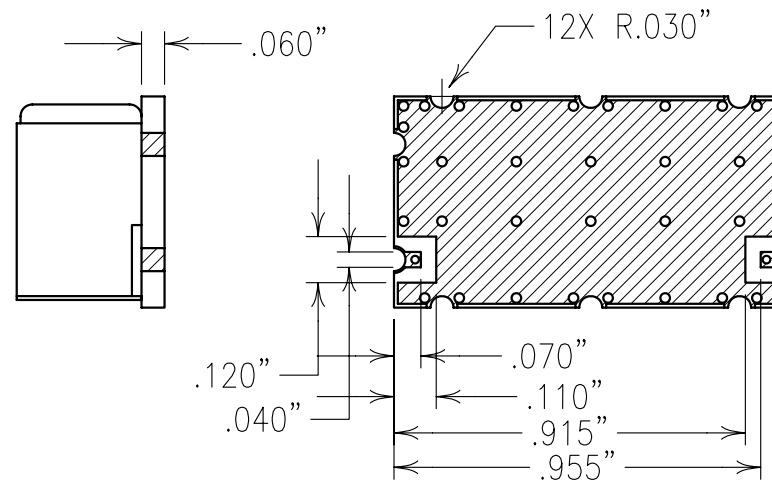
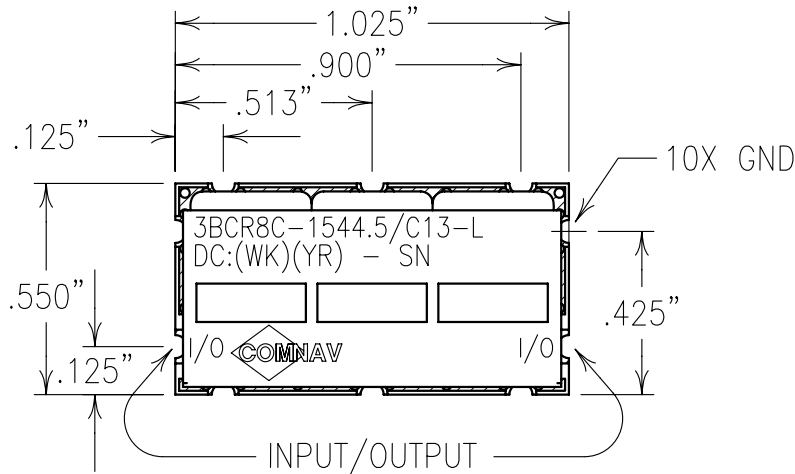
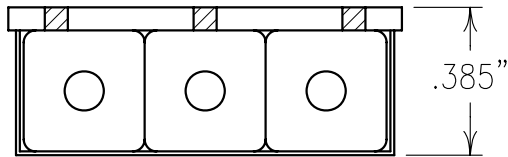
2

1

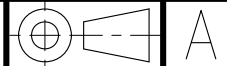
ELECTRICAL SPECIFICATIONS

CENTER FREQUENCY: 1544.5 MHz
 3 dB BANDWIDTH: 13.0 MHz NOM.
 INSERTION LOSS: 3.5 dB MAX @ FO
 VSWR: 1.7:1 @ FO±1.0 MHz
 REJECTION:
 40 dB MIN @ 1528 MHz
 40 dB MIN @ 1634 MHz
 OPERATING TEMP.: -20° TO +40°C

COPY



Confidential and Proprietary information of ComNav Engineering Inc. Do Not Duplicate or Use Without Permission. ComNav Engineering Inc. claims Copyright in this document as of the Creation, last revision, and last updated dates. All Rights Reserved.



NOTES:

RECOMMENDED ATTACHMENT METHOD: SILVER EPOXY OR REFLOW NOT TO EXCEED AS INDICATED BELOW:

TEMP.(°C)	MAX.TIME(SEC)
215	90
230	60
245	30
260	15

FILTER MAY BE LABELED OR ETCHED.
 PART IS ROHS COMPLIANT.

ENGLISH / METRIC ENGLISH	CHECKED BY				
TOLERANCES UNLESS OTHERWISE SPECIFIED	DRAWN BY PBF				
MACHINED SURFACES TO BE 125 / OR BETTER REMOVE ALL BURRS	ENGINEER KJR	REV II	DATE 20OCT05	BY KJR	DEV. INI. ISS. PER 2439
ENGLISH (INCHES) .XX ±.02 .XXX ±.010	METRIC (MM) .X ±.5 .XX ±.25	SCALE 2:1	APPLIC: CERAMIC COAXIAL FILTER		
ANGLES ± 0° 30'	DATE 20OCT05	TITLE: 3BCR8C-1544.5/C13-L			
FINISH: BOARD: NICKEL/GOLD RESONATOR: SILVER JACKET: NICKEL/SILVER		DRAWING No. 0L0608		SHEET OF 1 1	