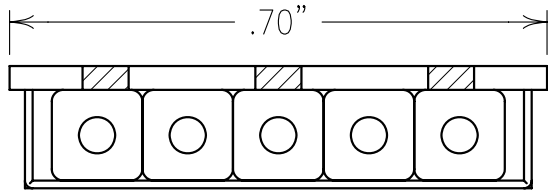


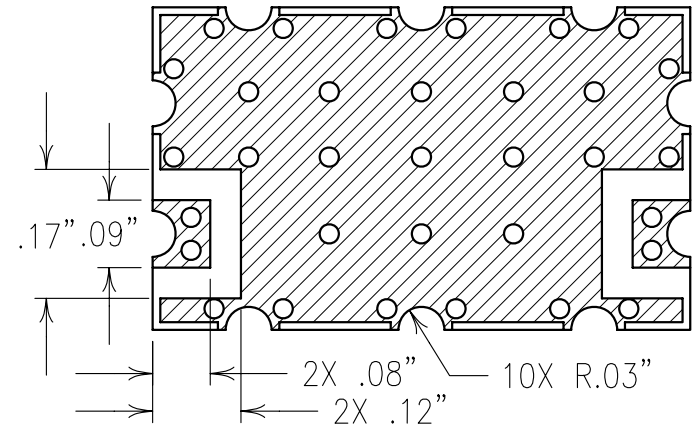
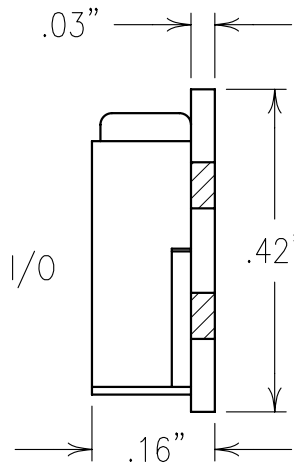
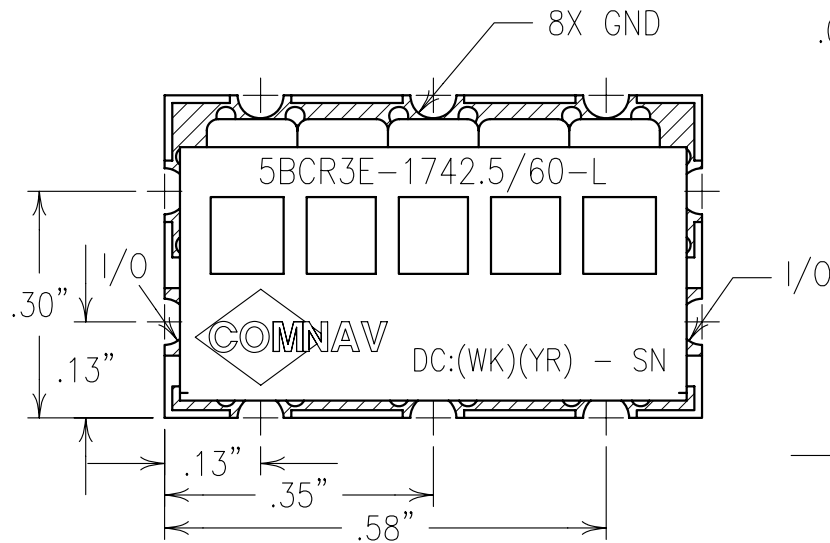
2

1



COPY

ELECTRICAL CHARACTERISTICS	
CENTER FREQUENCY:	1742.5 MHz
INSERTION LOSS:	5.0 dB MAX.
PASSBAND (-3dB):	FO±25 MHz MIN. FO±32 MHz MAX.
PASSBAND FLATNESS:	0.5 dB PK-PK MAX. WITHIN FO±10 MHz
PASSBAND VSWR:	APPROX. 1.5:1 WITHIN FO±10 MHz
REJECTION (RELATIVE TO FO):	
@ 1462.5 MHz:	>75 dB (80 dB TYP.)
@ 1672.5 MHz:	>30 dB
@ 3065 MHz:	>60 dB
@ 3345 MHz:	>60 dB
IMPEDANCE:	50 OHMS
OPERATING TEMP.:	0° TO 70° C



Confidential and Proprietary information of ComNav Engineering Inc. Do Not Duplicate or Use Without Permission. ComNav Engineering Inc. claims Copyright in this document as of the Creation, last revision, and last updated dates. All Rights Reserved.

NOTES:

RECOMMENDED ATTACHMENT METHOD: SILVER EPOXY OR REFLOW NOT TO EXCEED AS INDICATED BELOW:

TEMP.(°C) MAX.TIME(SEC)

215	90
230	60
245	30
260	15

PART IS ROHS COMPLIANT.
FILTER MUST BE ETCHED.

ENGLISH / METRIC		CHECKED BY				A	
ENGLISH							
TOLERANCES UNLESS OTHERWISE SPECIFIED		DRAWN BY					
MACHINED SURFACES TO BE 125 / OR BETTER		PBF					
REMOVE ALL BURRS		ENGINEER		II 140CT05 KJR DEV.		INI. ISS. PER 2438	
		KJR		REV DATE BY DCN No.		REMARKS	
ENGLISH (INCHES)	METRIC (MM)	SCALE		APPLIC:			
.XX ±.02	.X ±.50	4:1		CERAMIC COAXIAL FILTER			
.XXX ±.010	.XX ±.25	DATE		TITLE:			
ANGLES ± 0° 30'		180CT05		5BCR3E-1742.5/60-L			
COMNAV ENGINEERING INC.		FINISH: JACKET: NICKEL/SILVER RESONATORS: SILVER BOARD: NICKEL/GOLD			DRAWING No.		SHEET OF
					0L0607		1 1

B

A