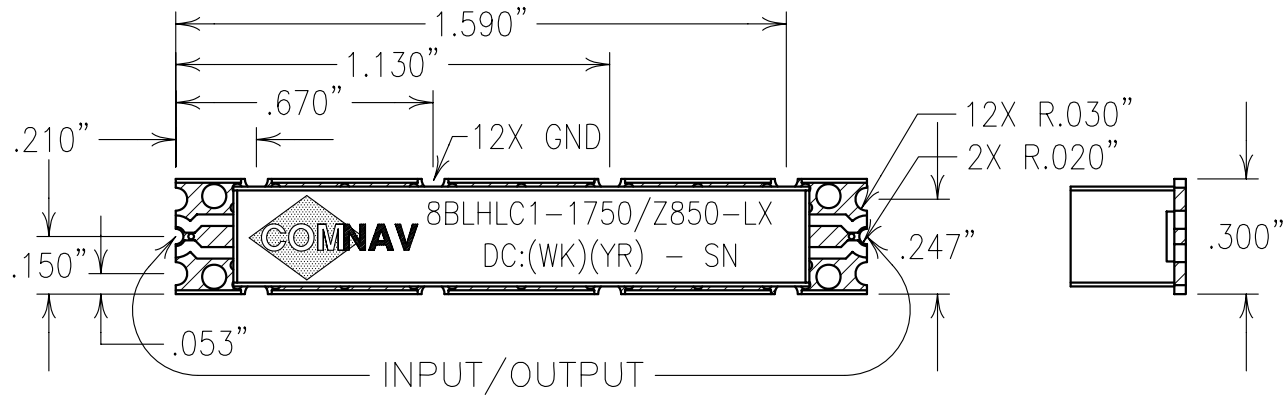
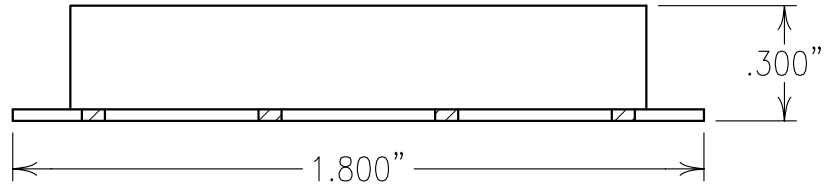


2

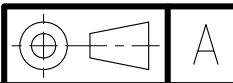
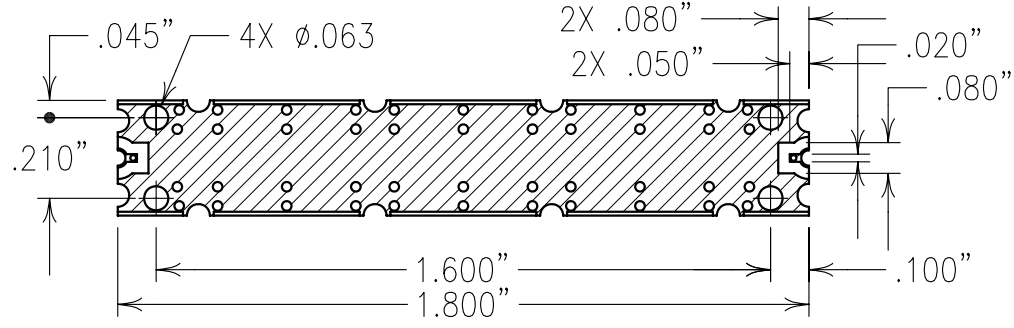
1



ELECTRICAL CHARACTERISTICS	
CENTER FREQUENCY:	1750 MHz
3 dB BANDWIDTH:	850 MHz NOM
PASSBAND:	1500-2000 MHz
PASSBAND LOSS:	<1.5 dB
PASSBAND VSWR:	1.5:1
40 dBc REJECTION:	DC->900 MHz
30 dBc REJECTION:	2400->3800 MHz
40 dBc REJECTION:	3800->6000 MHz
POWER HANDLING:	2 WATTS AVE, 20 WATTS PK
TEMP RANGE:	-45 TO +85°C



**COPY**



Confidential and Proprietary information of ComNav Engineering Inc. Do Not Duplicate or Use Without Permission. ComNav Engineering Inc. claims Copyright in this document as of the Creation, last revision, and last updated dates. All Rights Reserved.

NOTES:  
FOR RECOMMENDED FOOTPRINT SEE FP0094.

ENGLISH / METRIC ENGLISH	CHECKED BY				
TOLERANCES UNLESS OTHERWISE SPECIFIED	DRAWN BY				
MACHINED SURFACES TO BE 125 / OR BETTER REMOVE ALL BURRS	ENGINEER	II	05OCT05	KJR	DEV. INI. ISS. PER 2433
ENGLISH (INCHES)	SCALE	2:1	APPLIC: LC COAXIAL FILTER		
METRIC (MM)	DATE	05OCT05	TITLE: 8BLHLC1-1750/Z850-LX		
.XX ±.01 .XXX ±.005	ANGLES ± 0° 30'	FINISH: COVER: NICKEL/SILVER BASE: NICKEL/GOLD		DRAWING No. 010606	
COMNAV ENGINEERING INC				SHEET OF 1 1	