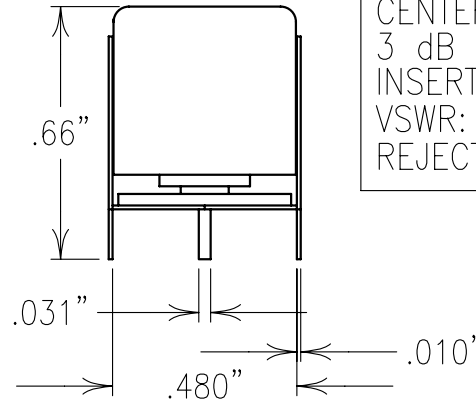
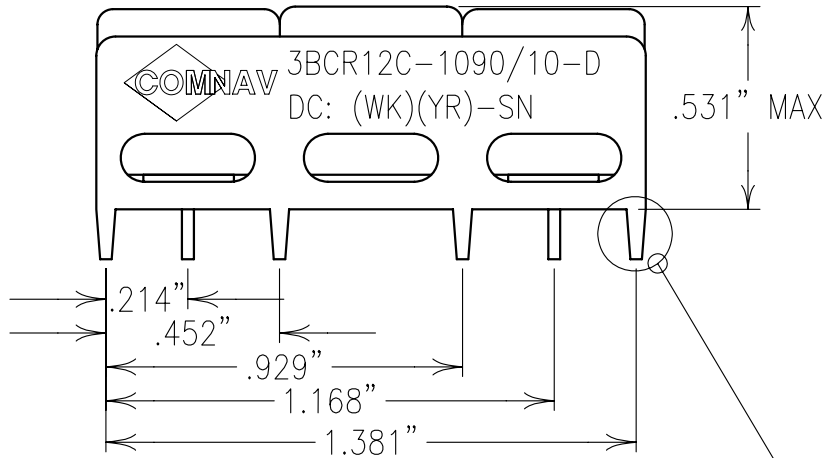
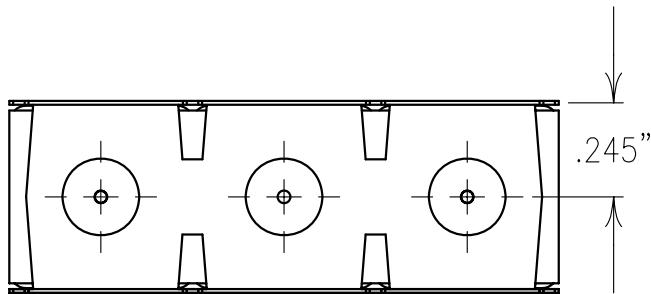


ELECTRICAL SPECIFICATIONS

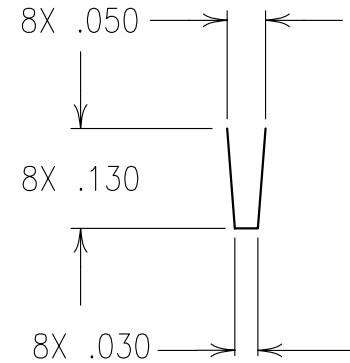
CENTER FREQUENCY: 1090 MHz
 3 dB BANDWIDTH: 10±2 MHz
 INSERTION LOSS: 2.0 dB MAX @ FO
 VSWR: 1.5:1 TYP.
 REJECTION: 40 dBc MIN. @ FO±36 MHz



SEE DETAIL A



COPY

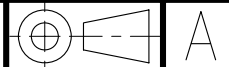


DETAIL A
 SCALE 4:1

NOTES:

- 1) DC: IS ON ONE SIDE ONLY.
- 2) FOR RECOMMENDED FOOTPRINT SEE FPO021.

Confidential and Proprietary information of ComNav Engineering Inc. Do Not Duplicate or Use Without Permission. ComNav Engineering Inc. claims Copyright in this document as of the Creation, last revision, and last updated dates. All Rights Reserved.



ENGLISH / METRIC ENGLISH		CHECKED BY					
TOLERANCES UNLESS OTHERWISE SPECIFIED		DRAWN BY					
MACHINED SURFACES TO BE 125 / OR BETTER		PBF		II	27SEP05	KJR	DEV.
REMOVE ALL BURRS		ENGINEER		REV	DATE	BY	DCN No.
		KJR					REMARKS
ENGLISH (INCHES)	METRIC (MM)	SCALE		APPLIC:			
.XX ±.02	.X ±.25	2:1		CERAMIC COAXIAL FILTER			
.XXX ±.010	.XX ±.13	DATE		TITLE:			
ANGLES ± 0° 30'		27SEP05		3BCR12C-1090/10-D			
COMNAV ENGINEERING INC.		MATERIAL: N/A			DRAWING No.		SHEET OF
		FINISH: N/A			0L0604		1 1