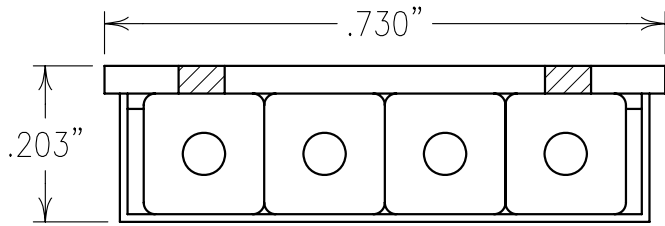


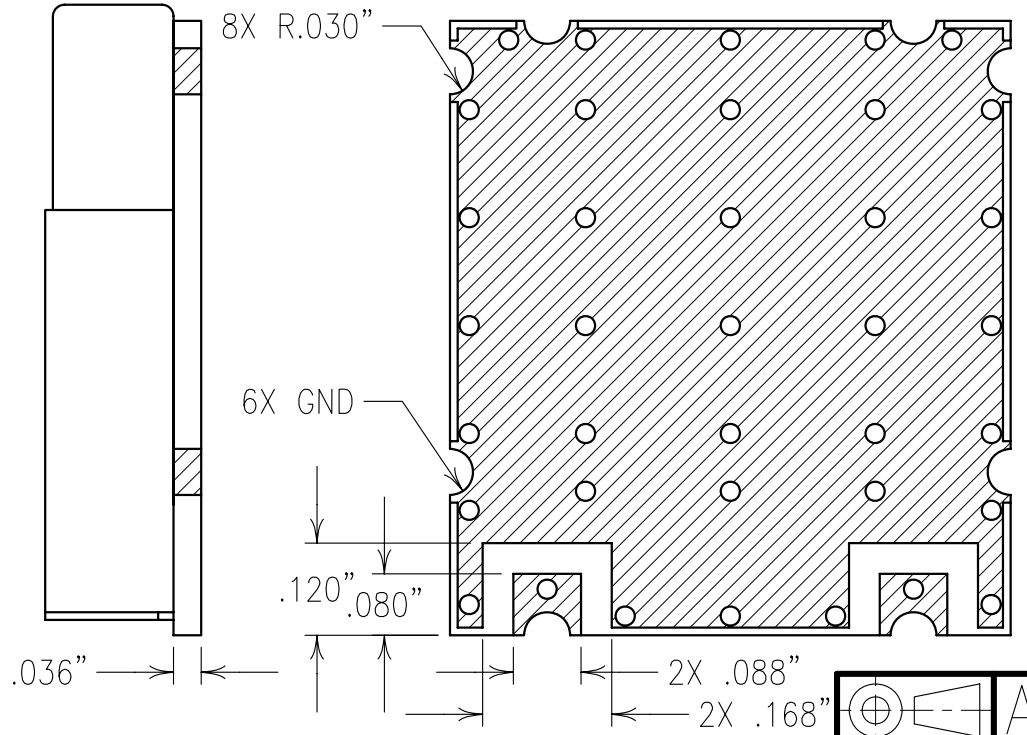
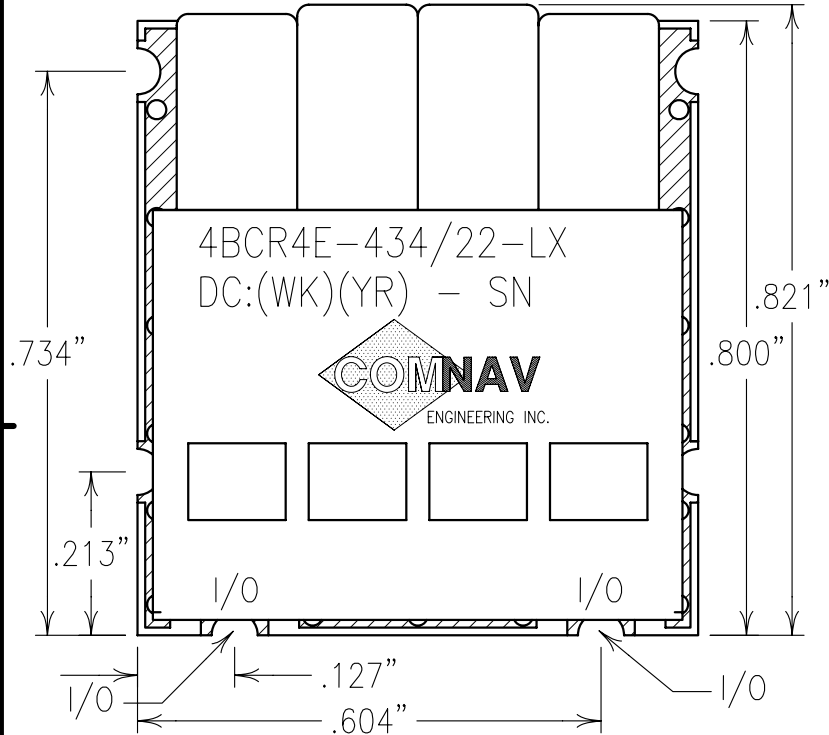
2

1



COPY

ELECTRICAL CHARACTERISTICS	
CENTER FREQUENCY:	433.92 MHz
PASSBAND:	428.92-438.92 MHz
REJECTION:	>40 dBc @400 MHz
	>40 dBc @500 MHz



Confidential and Proprietary information of ComNav Engineering Inc. Do Not Duplicate or Use Without Permission. ComNav Engineering Inc. claims Copyright in this document as of the Creation, last revision, and last updated dates. All Rights Reserved.

NOTES:

RECOMMENDED ATTACHMENT METHOD: SILVER EPOXY  
OR REFLOW NOT TO EXCEED AS INDICATED BELOW:

TEMP.(°C)	MAX.TIME(SEC)
215	90
230	60
245	30
260	15

FOR RECOMMENDED FOOTPRINT SEE FP0103.

ENGLISH / METRIC ENGLISH	CHECKED BY				
TOLERANCES UNLESS OTHERWISE SPECIFIED MACHINED SURFACES TO BE 125 / OR BETTER REMOVE ALL BURRS	DRAWN BY PBF				
ENGLISH (INCHES) .XX ±.02 .XXX ±.01 ANGLES ± 0° 30'	ENGINEER KJR	REV II	DATE 09SEP05	BY KJR	DCN No. DEV.
	SCALE 4:1	APPLIC: CERAMIC COAXIAL FILTER			
	DATE 12SEP05	TITLE: 4BCR4E-434/22-LX			
<b>COMNAV</b> ENGINEERING INC.	FINISH: BOARD: NI/AU PLATED COPPER JACKET: NI/SILVER RESONATOR: SILVER	DRAWING No. OL0601			SHEET OF 1 1