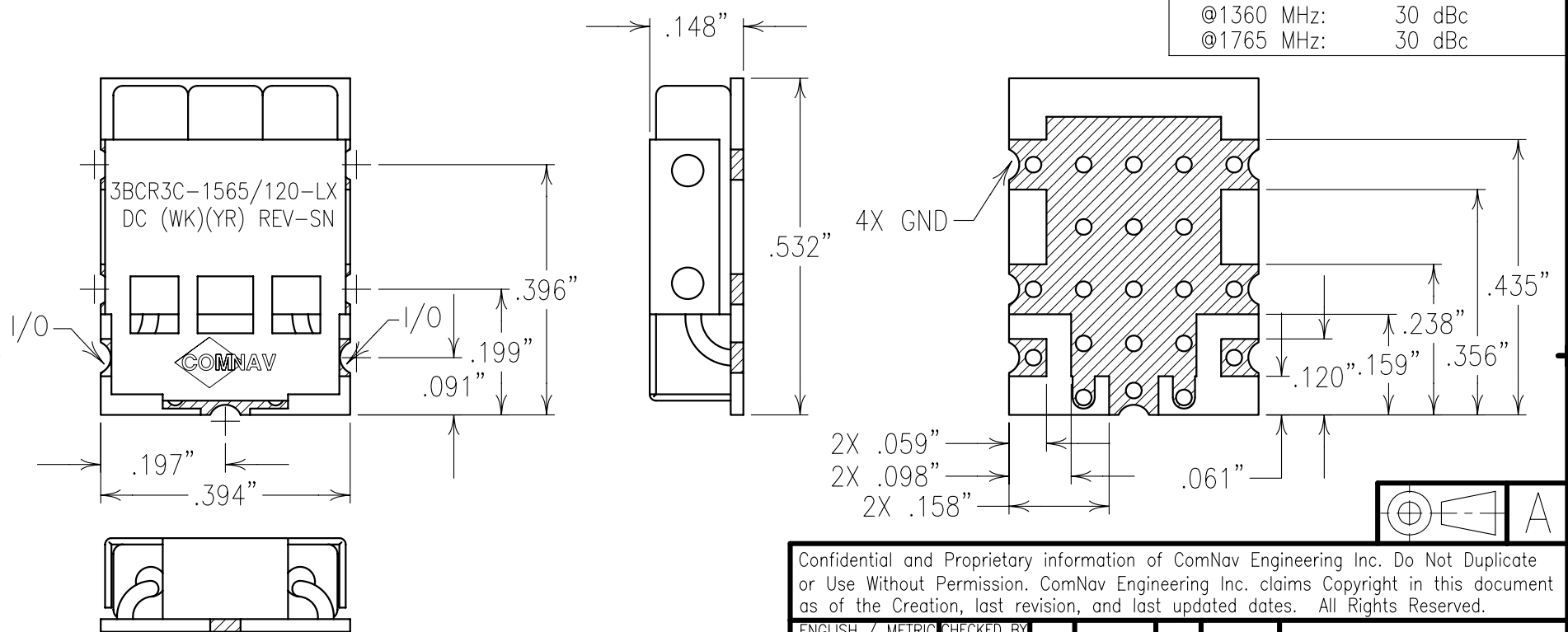


COPY

ELECTRICAL CHARACTERISTICS	
CENTER FREQUENCY:	1565 MHz
PASSBAND:	1520-1610 MHz
LOSS @ F0:	<1.0 dB
PASSBAND FLATNESS:	1.0 dB
VSWR:	1.5:1 TYPICAL
REJECTION:	
@1470 MHz:	14 dBc
@1660 MHz:	14 dBc
@1360 MHz:	30 dBc
@1765 MHz:	30 dBc



NOTES:

RECOMMENDED ATTACHMENT METHOD: SILVER EPOXY
OR REFLOW NOT TO EXCEED AS INDICATED BELOW:

TEMP.(°C)	MAX.TIME(SEC)
215	90
230	60
245	30
260	15

FOR RECOMMENDED FOOTPRINT SEE FP0058.

Confidential and Proprietary information of ComNav Engineering Inc. Do Not Duplicate or Use Without Permission. ComNav Engineering Inc. claims Copyright in this document as of the Creation, last revision, and last updated dates. All Rights Reserved.

ENGLISH / METRIC ENGLISH	CHECKED BY				
TOLERANCES UNLESS OTHERWISE SPECIFIED MACHINED SURFACES TO BE 125 / OR BETTER REMOVE ALL BURRS	DRAWN BY PBF				
	ENGINEER KJR	II	12JUL05	KJR	DEV. INI. ISS. PER 2403
		REV	DATE	BY	DCN No. REMARKS
ENGLISH (INCHES) .XX ±.02 .XXX ±.010	METRIC (MM) .X ±.25 .XX ±.13	SCALE 4:1	APPLIC: CERAMIC COAXIAL FILTER		
ANGLES ± 0° 30'		DATE 22JUL05	TITLE: 3BCR3C-1565/120-LX		
	FINISH: BOARD: NI/AU PLATED COPPER JACKET: NI/SILVER RESONATOR: SILVER	DRAWING No. 0L0597	SHEET OF 1 1		