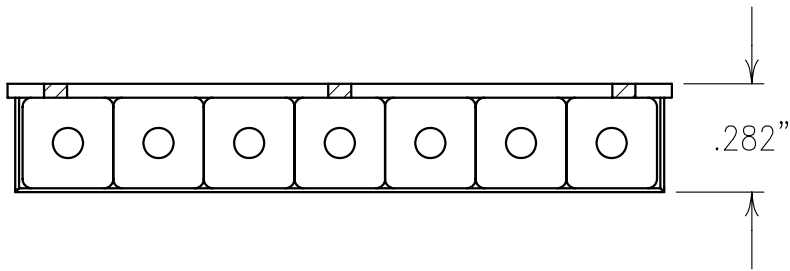
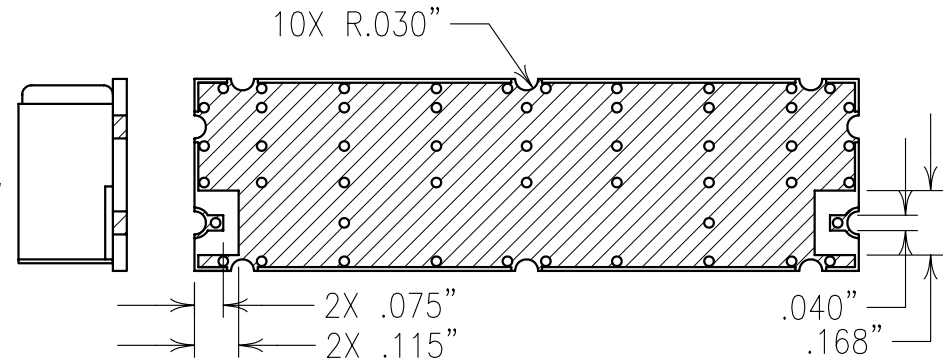
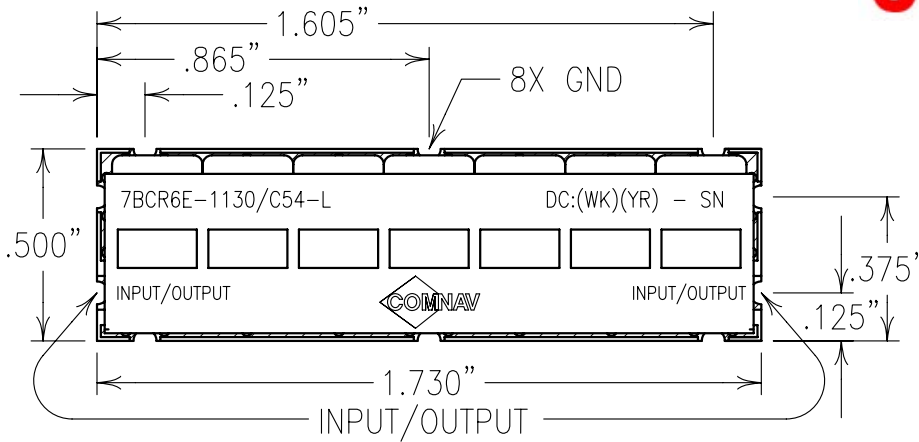


ELECTRICAL CHARACTERISTICS

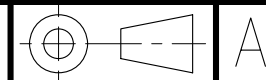
CENTER FREQUENCY:	1130 MHz
3 dB BANDWIDTH:	54 MHz NOM
1 dB BANDWIDTH:	40 MHz MIN
1.5 dB BANDWIDTH:	48 MHz MIN
VSWR ACROSS FO±18 MHz:	<1.2:1
30 dBc REJECTION:	1091 MHz
100 dBc REJECTION:	955-1005 MHz*
DESIGN TO, CANNOT RELIABLY TEST	



COPY



Confidential and Proprietary information of ComNav Engineering Inc. Do Not Duplicate or Use Without Permission. ComNav Engineering Inc. claims Copyright in this document as of the Creation, last revision, and last updated dates. All Rights Reserved.



NOTES:

RECOMMENDED ATTACHMENT METHOD: SILVER EPOXY OR REFLOW NOT TO EXCEED AS INDICATED BELOW:

TEMP.(°C) MAX.TIME(SEC)

215	90
230	60
245	30
260	15

ENGLISH / METRIC ENGLISH	CHECKED BY				
TOLERANCES UNLESS OTHERWISE SPECIFIED MACHINED SURFACES TO BE 125 OR BETTER REMOVE ALL BURRS	DRAWN BY PBF				
ENGLISH (INCHES) .XX ±.02 .XXX ±.01	ENGINEER MJG	II	22JUN05	MJG	DEV. INI. ISS. PER 2393
METRIC (MM) .X ±.25 .XX ±.13	SCALE 2:1	REV	DATE	BY	DCN No. REMARKS
ANGLES ± 0° 30'	DATE 23JUN05	APPLIC: CERAMIC COAXIAL FILTER			
	FINISH: BOARD: NI/AU JACKET: NI/SILVER RESONATOR: SILVER	TITLE: 7BCR6E-1130/C54-L			
		DRAWING No. 0L0596			SHEET/OF 1/1