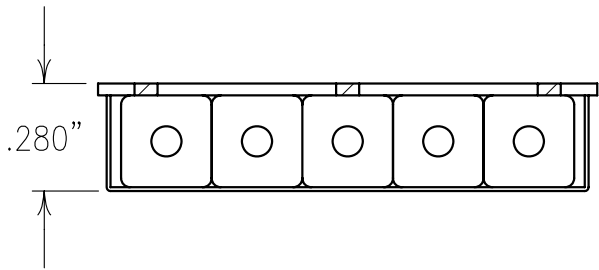
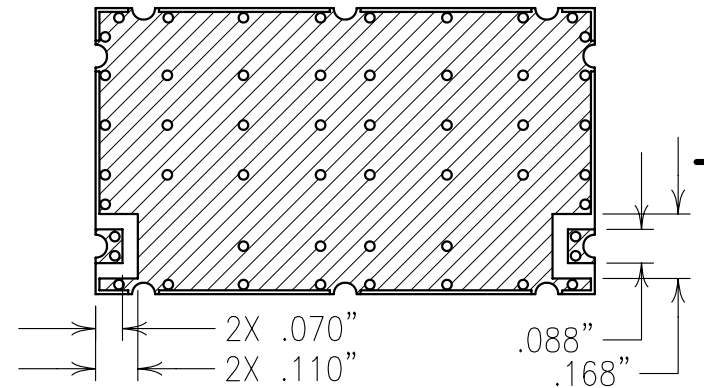
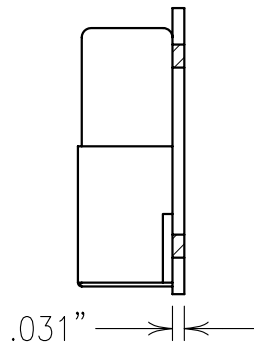
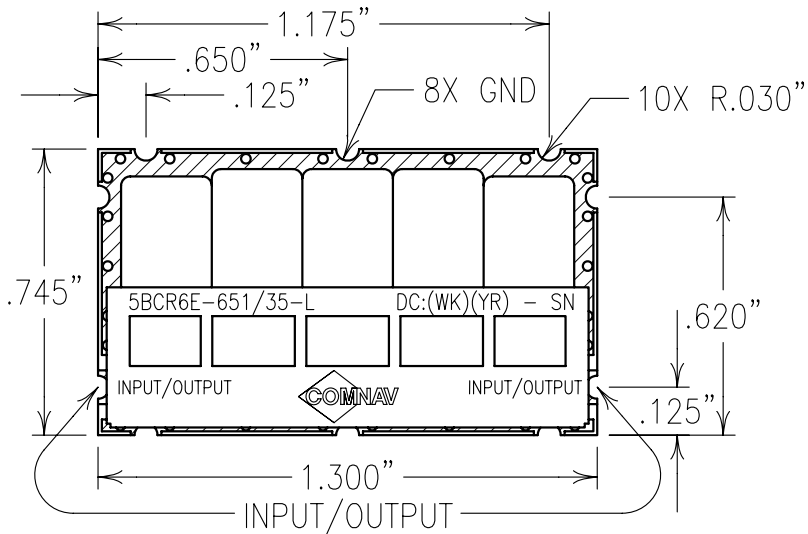


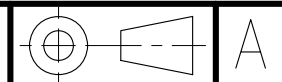
ENVIROMENTAL REQUIREMENTS	ELECTRICAL CHARACTERISTICS
VIBRATION (OPERATIONAL): 5 TO 360 Hz ±2G OR 6MM DISPLACEMENT, WHICHEVER IS THE LESSER. SHOCK: 40g 6msec PULSE OPERATING TEMP.: -40 TO +70 °C STORAGE TEMP.: -40 TO +85 °C	CENTER FREQUENCY: 651 MHz 3 dB PASSBAND: 633-668 MHz MIN INSERTION LOSS @ fc: <3.0 dB PASSBAND VSWR: <1.5:1 80% 3 dB IMPEDANCE: 50 OHMS REJECTION (RELATIVE TO fc): DC-545 MHz: >70 dB 545-589 MHz: >40 dB 678-725 MHz: >20 dB 725-1500 MHz: >70 dB POWER RATING: 1 WATT MIN



COPY



Confidential and Proprietary information of ComNav Engineering Inc. Do Not Duplicate or Use Without Permission. ComNav Engineering Inc. claims Copyright in this document as of the Creation, last revision, and last updated dates. All Rights Reserved.



NOTES:

RECOMMENDED ATTACHMENT METHOD: SILVER EPOXY
 OR REFLOW NOT TO EXCEED AS INDICATED BELOW:

TEMP.(°C) MAX.TIME(SEC)

215	90
230	60
245	30
260	15

ENGLISH / METRIC ENGLISH	CHECKED BY					
TOLERANCES UNLESS OTHERWISE SPECIFIED MACHINED SURFACES TO BE 125/ OR BETTER REMOVE ALL BURRS	DRAWN BY					
	PBF					
ENGLISH (INCHES) .XX ±.02 .XXX ±.01	ENGINEER	II	16JUN05	MJG	DEV.	INI. ISS. PER 2391
	MJM	REV	DATE	BY	DCN No.	REMARKS
METRIC (MM) .X ±.25 .XX ±.13	SCALE	APPLIC: CERAMIC COAXIAL FILTER				
	2:1	TITLE: 5BCR6E-651/35-L				
ANGLES ± 0° 30'	DATE	15JUN05				
	FINISH: BOARD: NI/AU	DRAWING No.				SHEET/OF
	JACKET: NI/SILVER	0L0595				1/1
	RESONATOR: SILVER					