

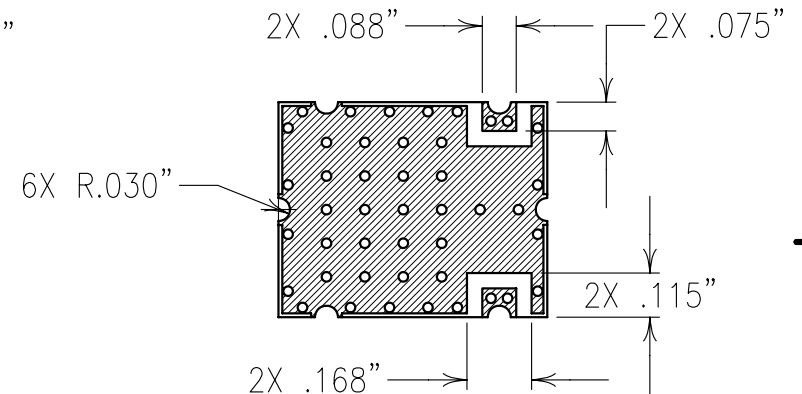
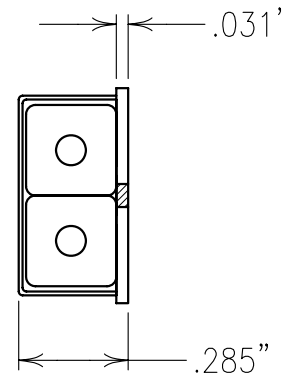
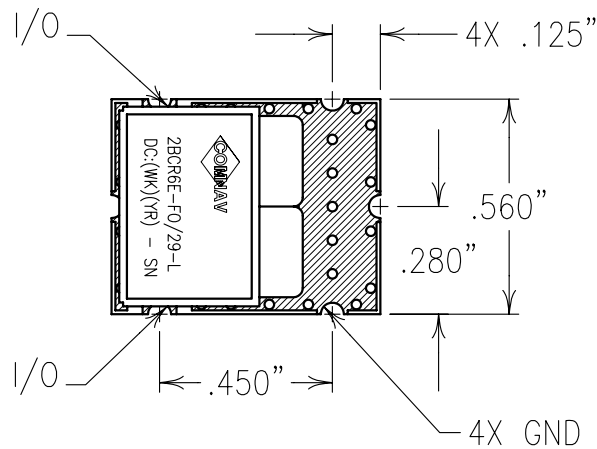
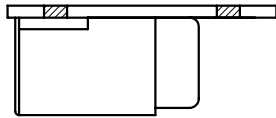
2

1

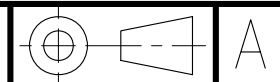
ELECTRICAL CHARACTERISTICS

CENTER FREQUENCY(F0): 1030,1090 MHz
 3 dB BANDWIDTH 29 MHz NOM.
 INSERTION LOSS @ F0: 1.0 dB MAX
 VSWR: 1.7:1 TYP.
 REJECTION IS TYPICAL 2 POLE RESPONSE

COPY



Confidential and Proprietary information of ComNav Engineering Inc. Do Not Duplicate or Use Without Permission. ComNav Engineering Inc. claims Copyright in this document as of the Creation, last revision, and last updated dates. All Rights Reserved.



NOTES:
 FOR RECOMMENDED FOOTPRINT SEE FP0069.
 RECOMMENDED ATTACHMENT METHOD: SILVER EPOXY
 OR REFLOW NOT TO EXCEED AS INDICATED BELOW:

TEMP.(°C) MAX.TIME(SEC)

215	90
230	60
245	30
260	15

ENGLISH / METRIC ENGLISH		CHECKED BY							
TOLERANCES UNLESS OTHERWISE SPECIFIED MACHINED SURFACES TO BE 125/ OR BETTER REMOVE ALL BURRS		DRAWN BY PBF							
		ENGINEER MJG		II	06MAY05	GML	DEV.	INI. ISS. PER 2369	
				REV	DATE	BY	DCN No.	REMARKS	
ENGLISH (INCHES) .XX ±.02 .XXX ±.010	METRIC (MM) .X ±.25 .XX ±.13	SCALE 2:1		APPLIC: CERAMIC COAXIAL FILTER					
ANGLES ± 0° 30'		DATE 10MAY05		TITLE: 2BCR6E-F0/29-L					
COMNAV ENGINEERING INC.		FINISH: BOARD: NI/AU JACKET: NI/SILVER RESONATOR: SILVER				DRAWING No. OL0591		SHEET/OF 1/1	