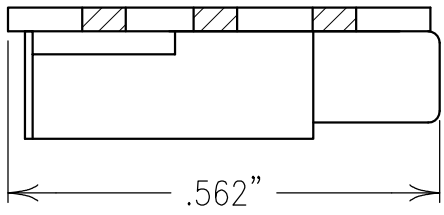


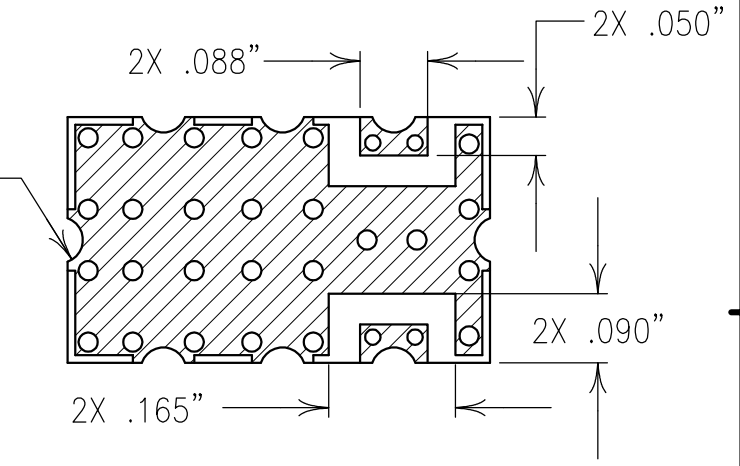
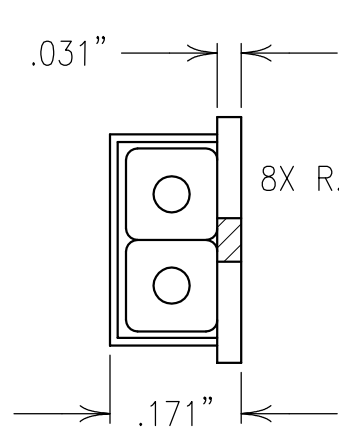
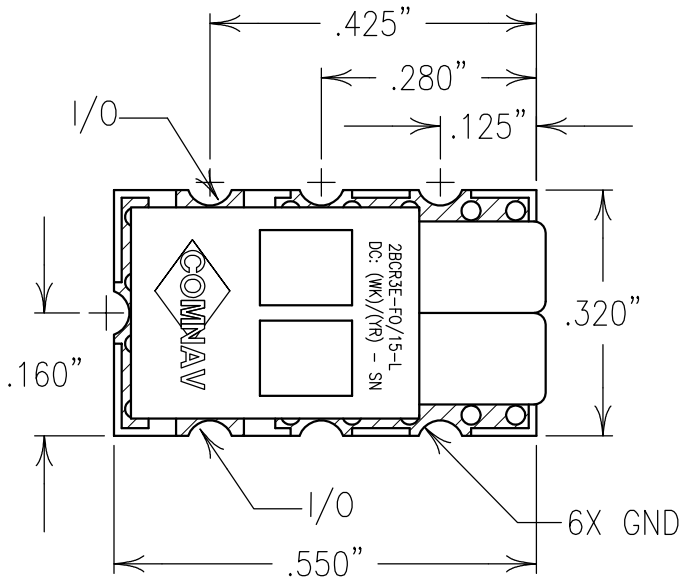
2

1

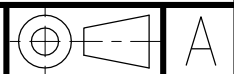


COPY

ELECTRICAL CHARACTERISTICS	
CENTER FREQUENCY(F0):	778, 788, 872, 1200, 1220, 1400 MHz
3dB BANDWIDTH:	15 MHz NOM.
LOSS @ F0 ≤ 872:	<2.5 dB
LOSS @ F0 = 1200,1220:	<3.0 dB
LOSS @ F0 = 1400:	<3.5 dB
VSWR:	<1:7:1
REJECTION: 30 dBc:	F0±60 MHz



Confidential and Proprietary information of ComNav Engineering Inc. Do Not Duplicate or Use Without Permission. ComNav Engineering Inc. claims Copyright in this document as of the Creation, last revision, and last updated dates. All Rights Reserved.



NOTES:
 FOR RECOMMENDED FOOTPRINT SEE FP0015.
 RECOMMENDED ATTACHMENT METHOD: SILVER EPOXY
 OR REFLOW NOT TO EXCEED AS INDICATED BELOW:
 TEMP.(°C) MAX.TIME(SEC)
 215 90
 230 60
 245 30
 260 15

ENGLISH / METRIC ENGLISH	CHECKED BY	D	19FEB09	KJR	DEV.	GEN. REV. PER 3019
TOLERANCES UNLESS OTHERWISE SPECIFIED	DRAWN BY	C	09JAN09	KJR	DEV.	GEN. REV. PER 2992
MACHINED SURFACES TO BE 125 / OR BETTER	ENGINEER	B	27JUN06	KJR	DEV.	GEN. REV. PER 2689
REMOVE ALL BURRS	KJR	REV	DATE	BY	DCN No.	REMARKS

ENGLISH (INCHES)	METRIC (MM)	SCALE	APPLIC:
.XX ±.02 .XXX ±.010	.X ±.50 .XX ±.25	4:1	CERAMIC COAXIAL FILTER
ANGLES ± 0° 30'	DATE	TITLE:	
	20FEB09	2BCR3E-F0/15-L	

	FINISH: BOARD: NICKEL/GOLD JACKET: NICKEL/SILVER RESONATOR: SILVER	DRAWING No.	SHEET OF
		0L0580	1 1