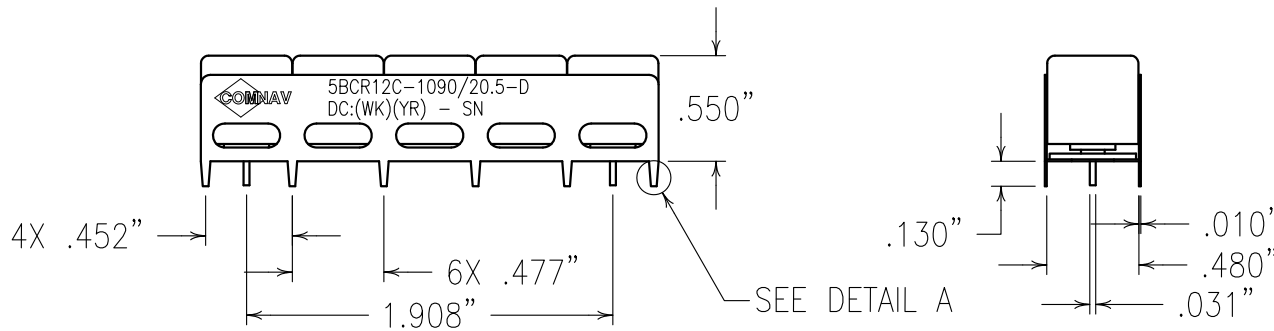


2

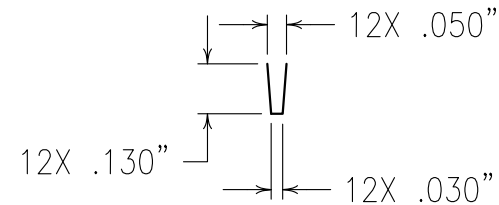
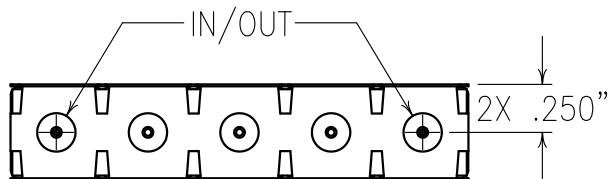
1

ELECTRICAL SPECIFICATIONS

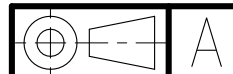
CENTER FREQUENCY: 1090 MHz
 INSERTION LOSS: 2.0 dB MAX @ FO
 VSWR: 1.5:1 TYP
 1 dB BANDWIDTH: 16.0 MHz MIN
 GROUP DELAY VAR.: 19.5 NSEC MAX,
 REJECTION: FROM 1082-1098 MHz
 6 dBc MIN @ 1078 AND 1102 MHz
 40 dBc MIN @ 1065 AND 1115 MHz
 60 dBc MIN @ 1030 MHz
 65 dBc MIN @ 1150 MHz
 Vibration: IAW Mil-E-5400 Fig2, Curve 1
 Shock: IAW Mil-E-5400 Para 3.2.26.6.1,
 except 15 G's/ 11 milliseconds.
 ALTITUDE: 50,000 FT
 OPERATING TEMP: -40 TO +85° C
 STORAGE TEMP: -65 TO +95° C
 POWER: 25 WATTS AVE.



COPY



DETAIL A
 SCALE 2:1



Confidential and Proprietary information of ComNav Engineering Inc. Do Not Duplicate or Use Without Permission. ComNav Engineering Inc. claims Copyright in this document as of the Creation, last revision, and last updated dates. All Rights Reserved.

NOTES:

FOR RECOMMENDED FOOTPRINT SEE FP0029.
 DC: IS ON ONE SIDE ONLY.

ENGLISH / METRIC ENGLISH	CHECKED BY B	24MAY11	KJR	DEV.	GEN. REV. PER 3395
TOLERANCES UNLESS OTHERWISE SPECIFIED	DRAWN BY A	24MAR05	SCP	DEV.	GEN. REV. PER 2351
MACHINED SURFACES TO BE 125 / OR BETTER	ENGINEER II	03MAR05	MJG	DEV.	INI. ISS. PER 2346
REMOVE ALL BURRS	KJR	REV	DATE	BY	DCN No.
ENGLISH (INCHES) .XX ±.02 .XXX ±.010	METRIC (MM) .X ±.5 .XX ±.25	SCALE 1:1	APPLIC: CERAMIC COAXIAL FILTER		
ANGLES ± 0° 30'	DATE 24MAY11	TITLE: 5BCR12C-1090/20.5-D			DRAWING No. 0L0578
COMNAV ENGINEERING INC		FINISH: BOARD: NICKEL/GOLD PLATED COPPER JACKET: NICKEL/SILVER RESONATOR: SILVER		SHEET OF 1 1	