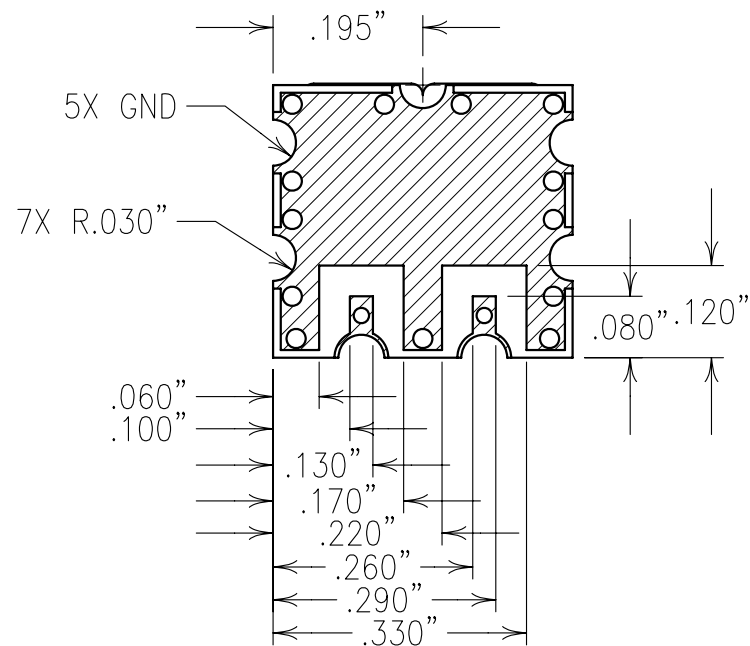
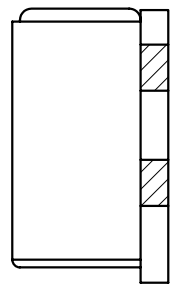
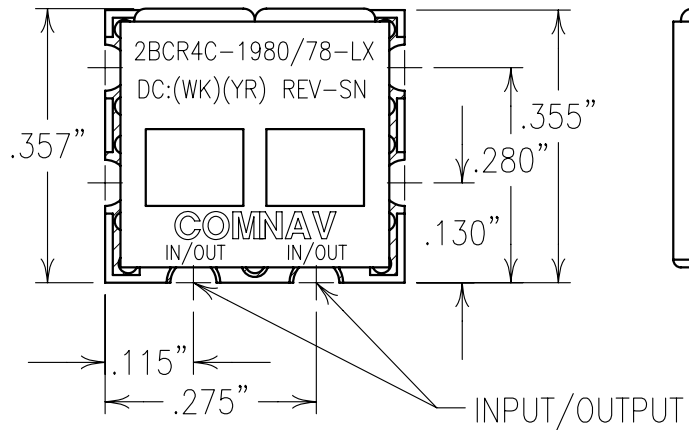


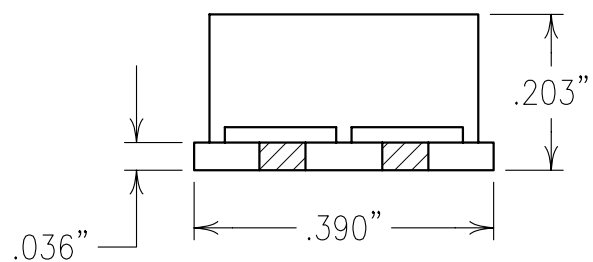
2

1



B

**COPY**



ELECTRICAL CHARACTERISTICS	
CENTER FREQUENCY:	1980 MHz
0.5 dB BANDWIDTH:	50 MHz MIN.
INSERTION LOSS:	1.0 dB MAX @ F0
PASSBAND VSWR	1.7:1 TYP
REJECTION	
18 dBc MIN:	1830 AND 2130 MHz

NOTES:

RECOMMENDED ATTACHMENT METHOD: SILVER EPOXY  
OR REFLOW NOT TO EXCEED AS INDICATED BELOW:

TEMP.(°C)	MAX.TIME(SEC)
215	90
230	60
245	30
260	15

Confidential and Proprietary information of ComNav Engineering Inc. Do Not Duplicate or Use Without Permission. ComNav Engineering Inc. claims Copyright in this document as of the Creation, last revision, and last updated dates. All Rights Reserved.					
ENGLISH / METRIC ENGLISH	CHECKED BY				
TOLERANCES UNLESS OTHERWISE SPECIFIED	DRAWN BY				
MACHINED SURFACES TO BE 125 OR BETTER REMOVE ALL BURRS	ENGINEER	II	17FEB05	MJG	DEV. INI. ISS. PER 2344
	ENGINEER	REV	DATE	BY	DCN No. REMARKS
ENGLISH (INCHES)	METRIC (MM)	SCALE	APPLIC: CERAMIC COAXIAL FILTER		
.XX ±.01	.X ±.25	4:1			
.XXX ±.020	.XX ±.13	DATE	TITLE: 2BCR4C-1980/78-LX		
ANGLES ± 0° 30'		02MAR05			
		FINISH: BOARD: NI/AU PLATED COPPER JACKET: NI/SILVER RESONATOR: SILVER		DRAWING No. 0L0576	
				SHEET OF 1 1	

A