

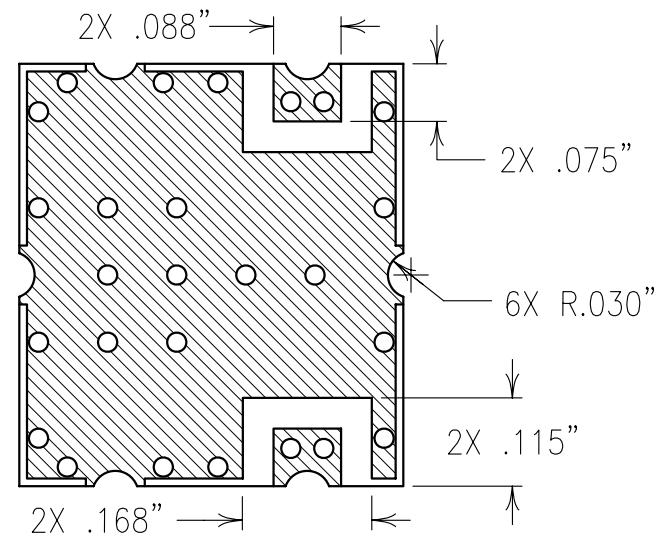
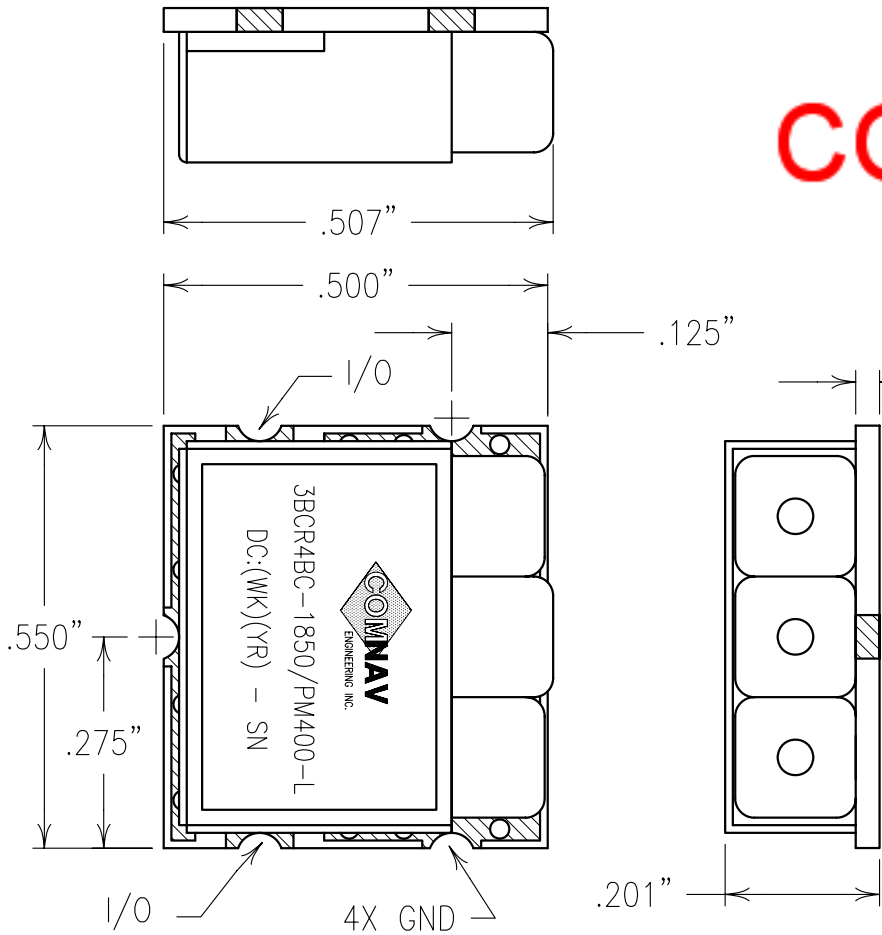
2

1

COPY

ELECTRICAL CHARACTERISTICS

CENTER FREQUENCY: 1850 MHz
 PASSBAND: 280 MHz (1710-1990 MHz)
 INSERTION LOSS: 1 dB MAX.
 REJECTION:
 500-1200 MHz: -40 dBc MIN.
 1200-1400 MHz: -20 dBc MIN.
 2500-3000 MHz: -20 dBc MIN.
 IMPEDANCE: 50 OHMS
 PASSBAND VSWR: 1.5:1 MAX.
 PHASE MATCHING OVER THE PASSBAND WITHIN A SET OF 8 FILTERS: 10° MAX.
 IIP3: +30 dBm MIN.
 TEMP. RANGE: -20° TO 70°C



Confidential and Proprietary information of ComNav Engineering Inc. Do Not Duplicate or Use Without Permission. ComNav Engineering Inc. claims Copyright in this document as of the Creation, last revision, and last updated dates. All Rights Reserved.

NOTES:

FOR RECOMMENDED FOOTPRINT SEE FP0009.
 RECOMMENDED ATTACHMENT METHOD: SILVER EPOXY
 OR REFLOW NOT TO EXCEED AS INDICATED BELOW:
 TEMP.(°C) MAX.TIME(SEC)

215	90
230	60
245	30
260	15

ENGLISH / METRIC ENGLISH	CHECKED BY					
TOLERANCES UNLESS OTHERWISE SPECIFIED	DRAWN BY	A	13APR05	TLA	DEV.	GEN. REV. PER 2360
MACHINED SURFACES TO BE 125 / OR BETTER	ENGINEER	II	11FEB05	MJG	DEV.	INI. ISS. PER 2339
REMOVE ALL BURRS	ENGINEER	REV	DATE	BY	DCN No.	REMARKS
ENGLISH (INCHES)	METRIC (MM)	SCALE	APPLIC: CERAMIC COAXIAL FILTER			
.XX ±.02	.X ±.25	DATE	TITLE: 3BCR4BC-1850/PM400-L			
.XXX ±.010	.XX ±.13	13APR05				
ANGLES ± 0° 30'	FINISH:		BOARD: NI/AU PLATED COPPER		DRAWING No.	
	JACKET: NI/SILVER		RESONATOR: SILVER		0L0574	
					SHEET OF 1 1	