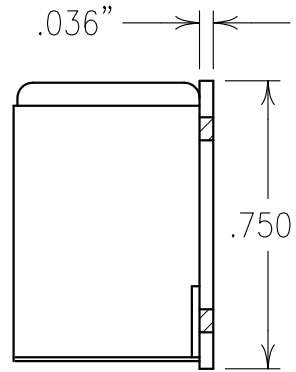
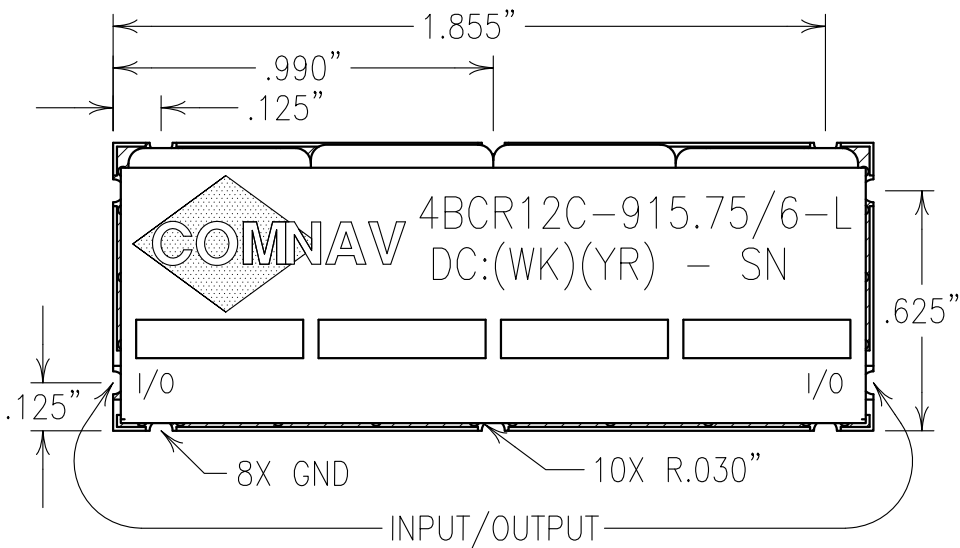


2

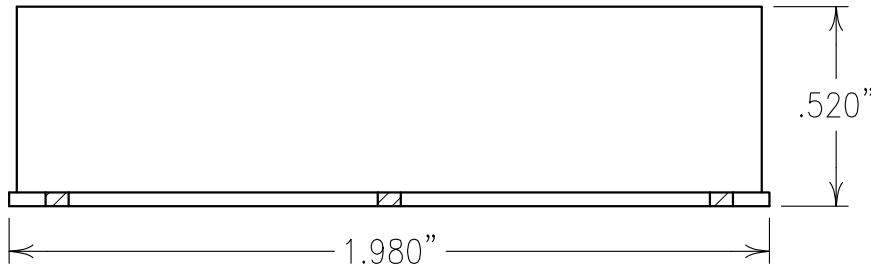
1



ELECTRICAL CHARACTERISTICS

CENTER FREQUENCY: 915.75 MHz
 3 dB BANDWIDTH: 6 MHz NOM
 PASSBAND: 913.25-918.25 MHz
 PASSBAND FLATNESS: 1.2 dB
 I.L.: 4.0 dB MAX @ Fo
 VSWR: 1.5:1 TYP.
 MAX. INPUT POWER: 36 dBm
 REJECTION:
 20 dB MIN @ 909.75 MHz
 20 dB MIN @ 921.75 MHz
 OPERATING TEMP.: -40° TO +75° C

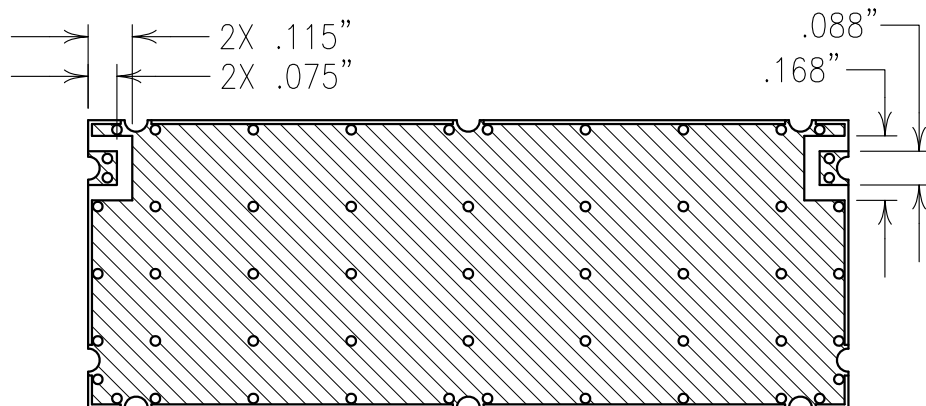
COPY



NOTES:

RECOMMENDED ATTACHMENT METHOD: SILVER EPOXY OR REFLOW NOT TO EXCEED AS INDICATED BELOW.

TEMP.(°C)	MAX.TIME (SEC)	
215	90	
230	60	FILTER IS ROHS COMPLIANT.
245	30	FILTER MAY BE LABELED OR ETCHED.
260	15	RECOMMENDED FOOTPRINT: FP0096.



Confidential and Proprietary information of ComNav Engineering Inc. Do Not Duplicate or Use Without Permission. ComNav Engineering Inc. claims Copyright in this document as of the Creation, last revision, and last updated dates. All Rights Reserved.

ENGLISH / METRIC ENGLISH	CHECKED BY				
TOLERANCES UNLESS OTHERWISE SPECIFIED MACHINED SURFACES TO BE 125 OR BETTER REMOVE ALL BURRS	DRAWN BY PBF	A	05MAY06	KJR	DEV.
	ENGINEER KJR	II	05JAN05	MJG	DEV.
		REV	DATE	BY	DCN No.
ENGLISH (INCHES) .XX ±.02 .XXX ±.010	METRIC (MM) .X ±.5 .XX ±.25	SCALE 2:1	APPLIC: CERAMIC COAXIAL FILTER		
ANGLES ± 0° 30'	DATE 05MAY06	TITLE: 4BCR12C-915.75/6-L			
COMNAV ENGINEERING INC		FINISH: BOARD: NI/AU PLATED COPPER JACKET: NI/SILVER RESONATOR: SILVER			DRAWING No. 0L0572
					SHEET OF 1 1