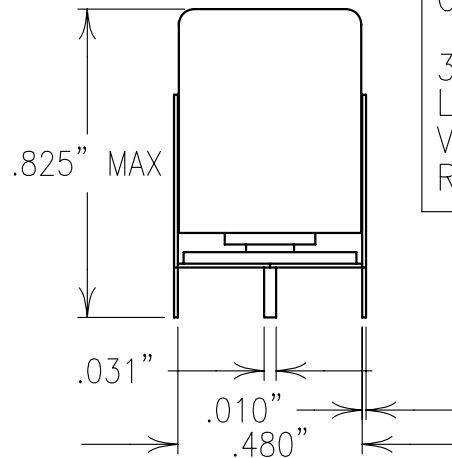
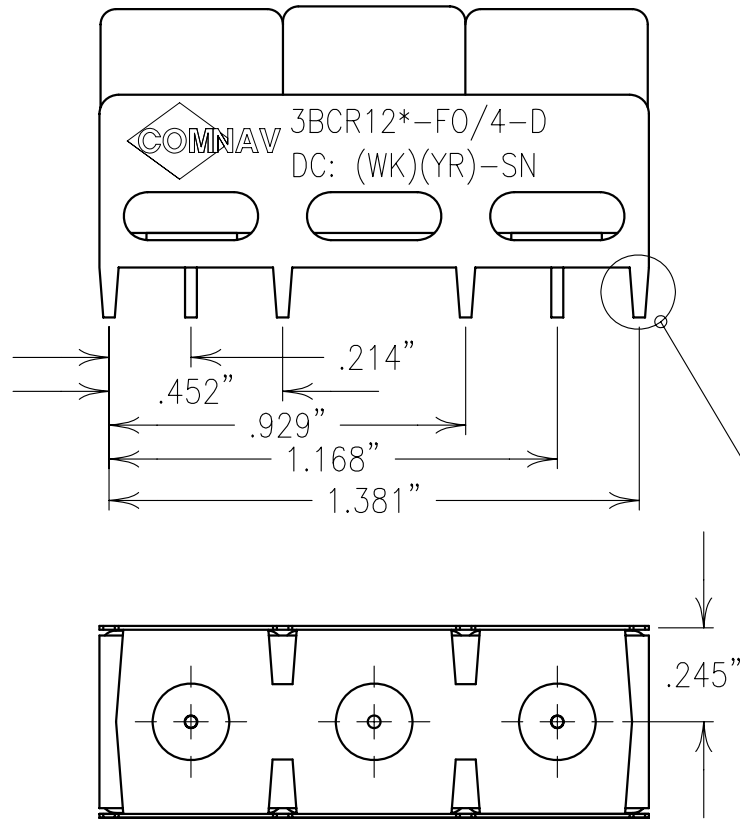


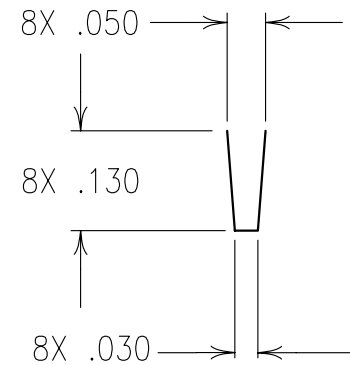
ELECTRICAL SPECIFICATIONS

CENTER FREQUENCY (fo):	1227.6 MHz
	1575.4 MHz
3 dB BANDWIDTH:	4 MHz MIN
LOSS @ FO:	<5.5 dB
VSWR:	1.7:1
REJECTION:	15 dB, ±5 MHz



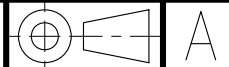
SEE DETAIL A

**COPY**



DETAIL A  
SCALE 4:1

Confidential and Proprietary information of ComNav Engineering Inc. Do Not Duplicate or Use Without Permission. ComNav Engineering Inc. claims Copyright in this document as of the Creation, last revision, and last updated dates. All Rights Reserved.



NOTES:

- 1) DC: IS ON ONE SIDE ONLY.
- 2) FOR RECOMMENDED FOOTPRINT SEE FPO021.
- \* THE MATERIAL IS B IF FO=1575.4 OR C IF FO=1227.6.

ENGLISH / METRIC ENGLISH		CHECKED BY					
TOLERANCES UNLESS OTHERWISE SPECIFIED		DRAWN BY					
MACHINED SURFACES TO BE 125 / OR BETTER REMOVE ALL BURRS		PBF		II 29JUL05		KJR DEV. INI. ISS. PER 2414	
		ENGINEER		REV		DATE BY DCN No. REMARKS	
KJR							
ENGLISH (INCHES)		METRIC (MM)		SCALE		APPLIC:	
.XX ±.02		.X ±.25		2:1		CERAMIC COAXIAL FILTER	
.XXX ±.010		.XX ±.13		DATE		TITLE:	
				29JUL05		3BCR12*-FO/4-D	
ANGLES ± 0° 30'		MATERIAL: N/A		DRAWING No.		SHEET OF	
COMNAV ENGINEERING INC.		FINISH: N/A		0L0562		1 1	