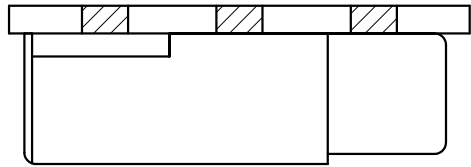
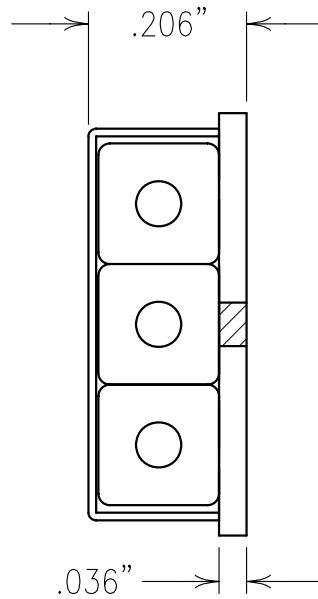
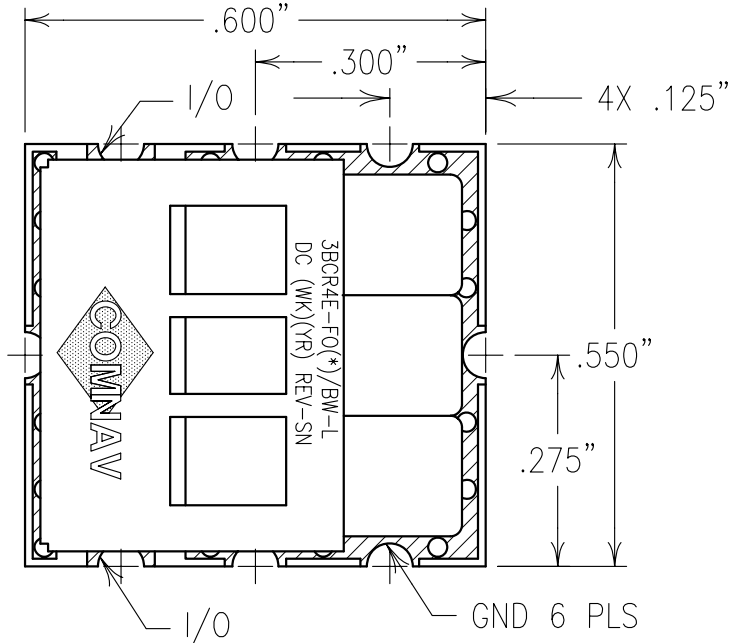


2

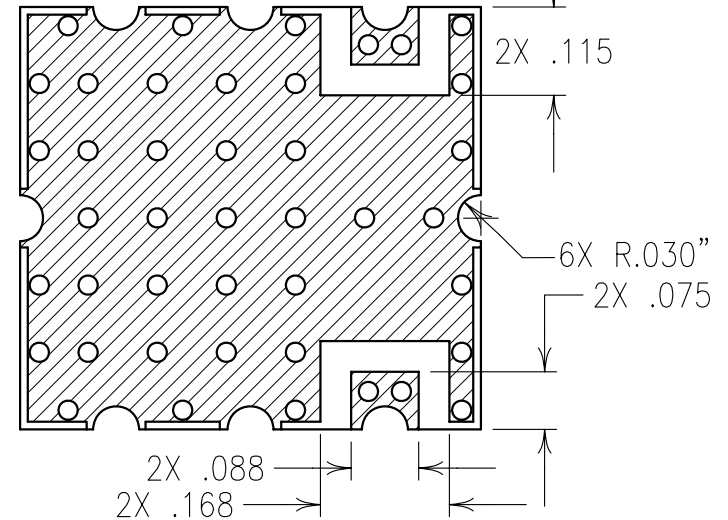
1



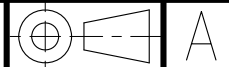
PART NUMBERS	ITEM	FL	HL	FO	ELECTRICAL CHARACTERISTICS
3BCR4E-896.5/60-L	(8)	876	917	896.5	PASSBAND LOSS: <3.0 dB MAX @ FL TO FH VSWR: 1.7:1 REJECTION: FL+280 MHz: >35 dBc FH-280 MHz: >35 dBc
3BCR4E-941.5/60-L	(9)	921	962	941.5	
3BCR4E-836.5/55-L	(10)	819	854	836.5	
3BCR4E-881.5/55-L	(11)	864	899	881.5	
3BCR4E-851/62-L	(12)	827	875	851	
3BCR4E-906/62-L	(13)	882	930	906	



COPY



Confidential and Proprietary information of ComNav Engineering Inc. Do Not Duplicate or Use Without Permission. ComNav Engineering Inc. claims Copyright in this document as of the Creation, last revision, and last updated dates. All Rights Reserved.



NOTES:
 FOR RECOMMENDED FOOTPRINT SEE FP0024.
 RECOMMENDED ATTACHMENT METHOD: SILVER EPOXY
 OR REFLOW NOT TO EXCEED AS INDICATED BELOW:
 TEMP.(°C) MAX. TIME(SEC)

215	90
230	60
245	30
260	15

ENGLISH / METRIC ENGLISH	CHECKED BY				
TOLERANCES UNLESS OTHERWISE SPECIFIED MACHINED SURFACES TO BE 125 / OR BETTER REMOVE ALL BURRS	DRAWN BY PBF				
	ENGINEER MJG	II	25AUG04	MJG	DEV. INI. ISS. PER 2286
	REV	DATE	BY	DCN No.	REMARKS
ENGLISH (INCHES) .XX ±.02 .XXX ±.010	METRIC (MM) .X ±.25 .XX ±.13	SCALE 4:1	APPLIC: CERAMIC COAXIAL FILTER		
ANGLES ± 0° 30'	DATE 10SEP04	TITLE: 3BCR4E-FO(*)/BW-L			
	FINISH: BOARD: NI/GOLD JACKET: NI/SILVER RESONATOR: SILVER	DRAWING No. OL0559		SHEET OF 1 1	