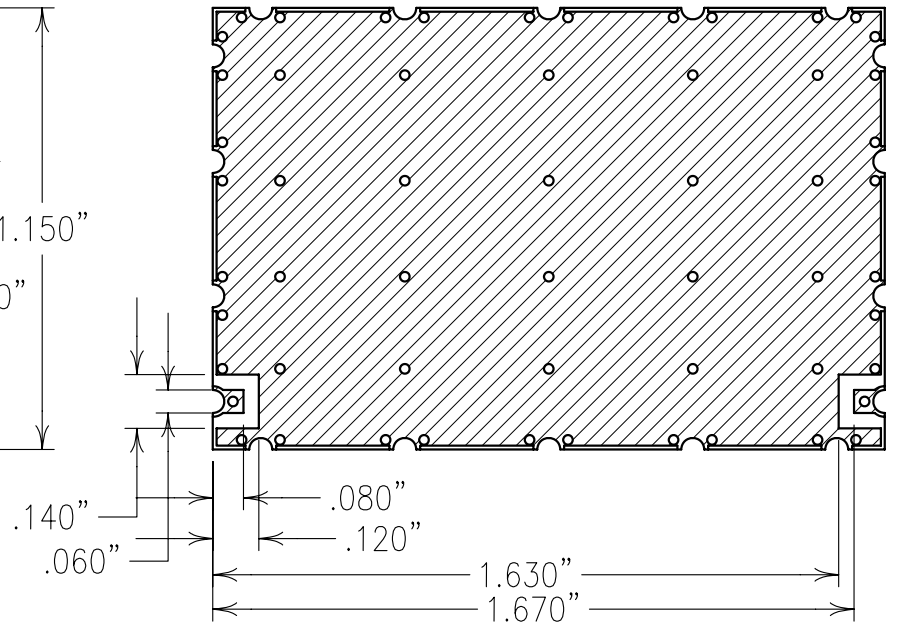


ELECTRICAL CHARACTERISTICS		
CENTER FREQUENCY:	350 MHz	350 MHz
3 dB BANDWIDTH(BW):	9 MHz NOM	5 MHz NOM
PASSBAND:	346.5-353.5 MHz	348.25-351.75 MHz
LOSS:	<4.0 dB	<7.0 dB
FLATNESS:	<1.0 dB	<1.6 dB
VSWR:	<1.5:1	<1.5:1
DELAY VAR.:	<60 NSEC(<35 TYP)	<90 NSEC(<55 TYP)
REJECTION:		
>15 dBc:	F0±7 MHz	F0±3.5 MHz
>63 dBc:	F0±40 MHz	F0±40 MHz



Confidential and Proprietary information of ComNav Engineering Inc. Do Not Duplicate or Use Without Permission. ComNav Engineering Inc. claims Copyright in this document as of the Creation, last revision, and last updated dates. All Rights Reserved.

NOTES:

RECOMMENDED ATTACHMENT METHOD: SILVER EPOXY OR REFLOW NOT TO EXCEED AS INDICATED BELOW:

TEMP.(°C)	MAX.TIME(SEC)
215	90
230	60
245	30
260	15

**COPY**

FOR RECOMMENDED FOOTPRINT SEE FP0095.

ENGLISH / METRIC ENGLISH	CHECKED BY				
TOLERANCES UNLESS OTHERWISE SPECIFIED	DRAWN BY PBF				
MACHINED SURFACES TO BE 125 / OR BETTER REMOVE ALL BURRS	ENGINEER MJG	II	03AUG04	MJG	DEV. INI. ISS. PER 2279
ENGLISH (INCHES)	METRIC (MM)	SCALE 2:1	APPLIC: CERAMIC COAXIAL FILTER		
.XX ±.02 .XXX ±.010	.X ±.5 .XX ±.25	DATE 18AUG04	TITLE: 5BCR8E-350/BW-L		
ANGLES ± 0° 30'	FINISH: BOARD: NICKEL/GOLD RESONATOR: SILVER JACKET: NICKEL/SILVER		DRAWING No. 0L0555		SHEET OF 1 1