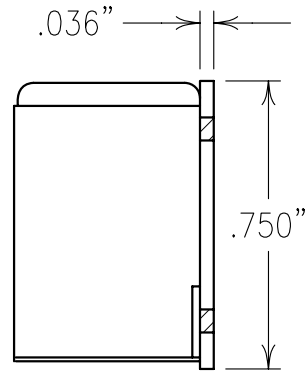
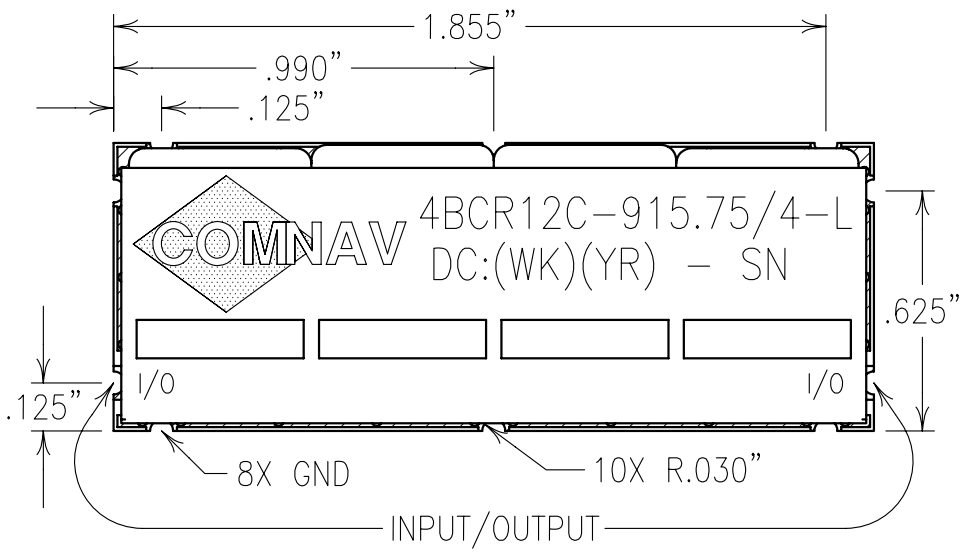


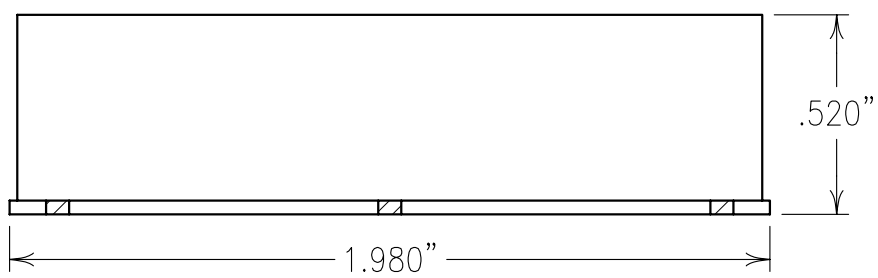
2

1



ELECTRICAL CHARACTERISTICS	
CENTER FREQUENCY:	915.75 MHz
1.2 dB PASSBAND:	913.75–917.75 MHz
I.L.:	5.0 dB MAX @ FO
VSWR:	1.5:1 TYP.
MAX. INPUT POWER:	36 dBm
REJECTION:	
	20 dB MIN @ 909.75 & 921.75 MHz
	60 dB MIN @ 950 & 1500 MHz
OPERATING TEMP.:	-40° TO +75° C

COPY



NOTES:

TEMP.(°C)	MAX.TIME (SEC)	
215	90	FILTER MAY BE ETCHED OR LABELED. FILTER IS ROHS COMPLIANT.
230	60	
245	30	
260	15	

RECOMMENDED ATTACHMENT METHOD: SILVER EPOXY OR REFLOW NOT TO EXCEED AS INDICATED ABOVE.

RECOMMENDED FOOTPRINT: FP0096.

Confidential and Proprietary information of ComNav Engineering Inc. Do Not Duplicate or Use Without Permission. ComNav Engineering Inc. claims Copyright in this document as of the Creation, last revision, and last updated dates. All Rights Reserved.

ENGLISH / METRIC ENGLISH	CHECKED BY B	06JUN06	MJG	DEV.	GEN. REV. PER 2527
TOLERANCES UNLESS OTHERWISE SPECIFIED MACHINED SURFACES TO BE 125/100 OR BETTER REMOVE ALL BURRS	DRAWN BY PBF	A	13MAR06	MJG	DEV. GEN. REV. PER 2496
	ENGINEER MJG	II	04AUG04	MJG	DEV. INI. ISS. PER 2276
	SCALE 2:1	REV	DATE	BY	DCN No. REMARKS
ENGLISH (INCHES) .XX ±.02 .XXX ±.010	METRIC (MM) .X ±.5 .XX ±.25	DATE 06JUN06	APPLIC: CERAMIC COAXIAL FILTER		
ANGLES ± 0° 30'	FINISH: BOARD: NI/AU PLATED COPPER JACKET: NI/SILVER RESONATOR: SILVER	TITLE: 4BCR12C-915.75/4-L			DRAWING No. 0L0551

SHEET OF 1 1

