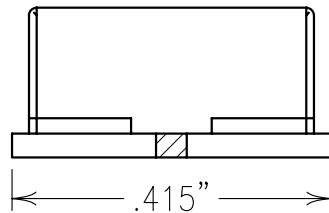
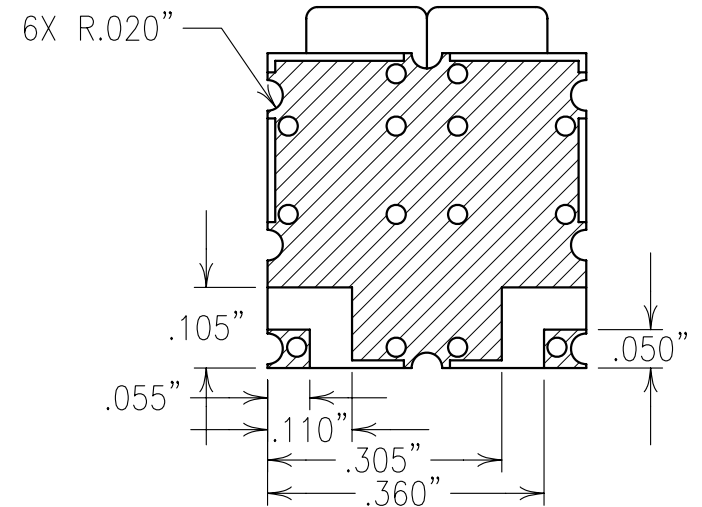
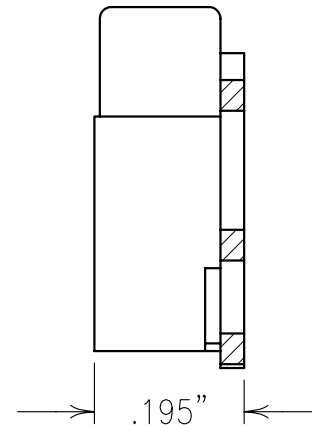
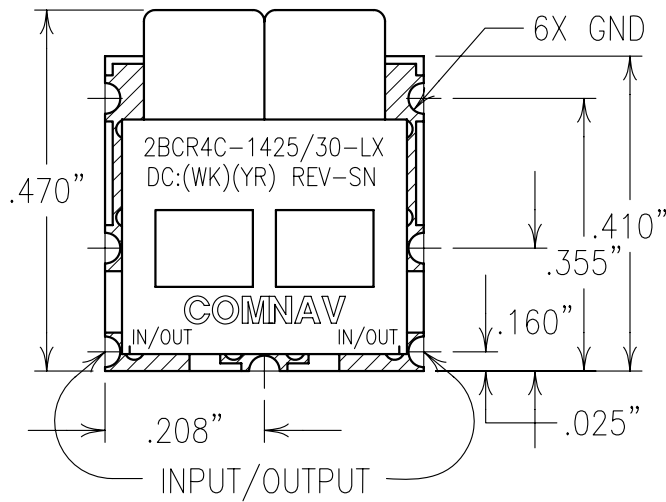


2

1

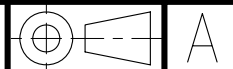


**COPY**

**ELECTRICAL CHARACTERISTICS**

CENTER FREQUENCY: 1425 MHz  
 3dB BANDWIDTH: 30 MHz NOM.  
 1dB PASSBAND: 1415-1435 MHz  
 LOSS @ F0: <2.5 dB  
 PASSBAND VSWR 1.7:1 MAX  
 REJECTION  
 15 dBc MIN: 1379-1381 MHz  
 OPERATING TEMP.: -45 TO +85 °C

Confidential and Proprietary information of ComNav Engineering Inc. Do Not Duplicate or Use Without Permission. ComNav Engineering Inc. claims Copyright in this document as of the Creation, last revision, and last updated dates. All Rights Reserved.



**NOTES:**

RECOMMENDED ATTACHMENT METHOD: SILVER EPOXY  
 OR REFLOW NOT TO EXCEED AS INDICATED BELOW:

TEMP.(°C) MAX.TIME(SEC)

215	90
230	60
245	30
260	15

ENGLISH / METRIC ENGLISH		CHECKED BY					
TOLERANCES UNLESS OTHERWISE SPECIFIED		DRAWN BY					
MACHINED SURFACES TO BE 125 OR BETTER REMOVE ALL BURRS		PBF		II	05AUG04	SCP	DEV.
		ENGINEER		REV	DATE	BY	DCN No.
		SCP					REMARKS
ENGLISH (INCHES)	METRIC (MM)	SCALE	APPLIC:				
.XX ±.01	.X ±.25	4:1	CERAMIC COAXIAL FILTER				
.XXX ±.020	.XX ±.13	DATE	TITLE:				
ANGLES ± 0° 30'		05AUG04	2BCR4C-1425/30-LX				
FINISH: BOARD: NI/AU PLATED COPPER		DRAWING No.		SHEET OF			
JACKET: NI/SILVER		0L0549		1 1			
RESONATOR: SILVER							