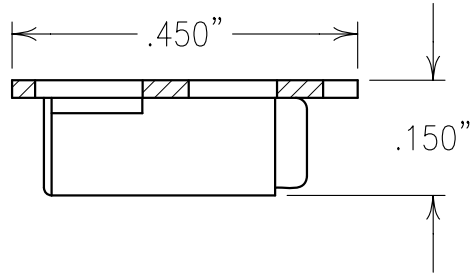


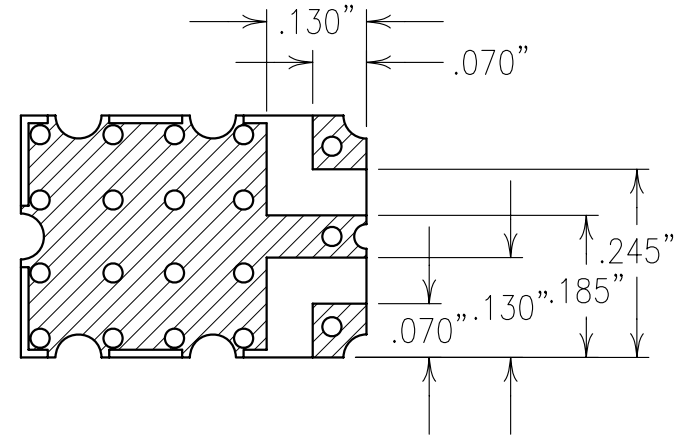
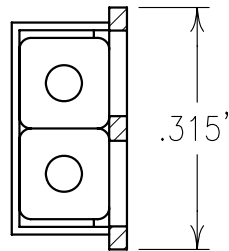
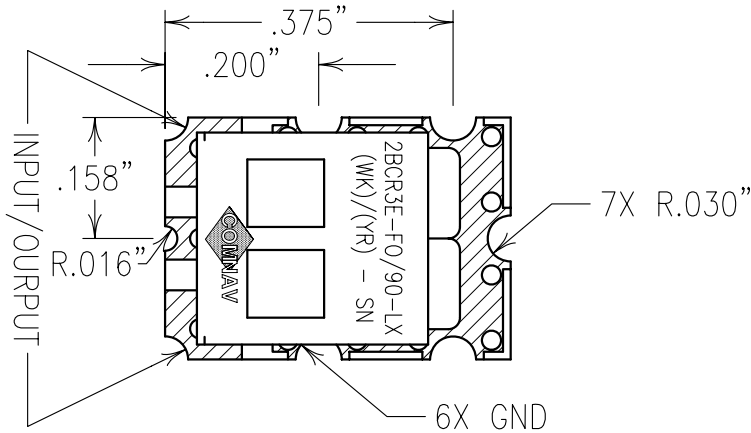
2

1



COPY

PART NUMBERS	ELECTRICAL CHARACTERISTICS
2BCR3E-1235/90-LX 2BCR3E-1588/90-LX	CENTER FREQUENCY fo(*): 1235 MHz PASSBAND: 1217-1253 MHz INSERTION LOSS: 1.0 dB MAX @ 1235 MHz REJECTION: 10 dB MIN @ 1135 & 1335 MHz 22 dB MIN @ 1035 & 1435 MHz
	CENTER FREQUENCY fo(*): 1588 MHz PASSBAND: 1565-1610 MHz INSERTION LOSS: 1.0 dB MAX @ 1588 MHz REJECTION: APPROX. 1.0 dB @ 1625.5 10 dB MIN @ 1490 & 1685 MHz 22 dB MIN @ 1390 & 1785 MHz
	PASSBAND FLATNESS: 0.5 dB MAX VSWR: <1.5:1 TYP



NOTES:

RECOMMENDED ATTACHMENT METHOD: SILVER EPOXY
OR REFLOW NOT TO EXCEED AS INDICATED BELOW:

TEMP.(°C)	MAX.TIME(SEC)
215	90
230	60
245	30
260	15

Confidential and Proprietary information of ComNav Engineering Inc. Do Not Duplicate or Use Without Permission. ComNav Engineering Inc. claims Copyright in this document as of the Creation, last revision, and last updated dates. All Rights Reserved.

ENGLISH / METRIC ENGLISH	CHECKED BY						
TOLERANCES UNLESS OTHERWISE SPECIFIED	DRAWN BY	A	26JUL04	MJG	DEV.	GEN. REV. PER 2270	
MACHINED SURFACES TO BE 125/ØR BETTER	ENGINEER	II	19JUL04	MJG	DEV.	INI. ISS. PER 2266	
REMOVE ALL BURRS	MJG	REV	DATE	BY	DCN No.	REMARKS	
ENGLISH (INCHES)	METRIC (MM)	SCALE	APPLIC: CERAMIC COAXIAL FILTER				
.XX ±.02	.X ±.50	4:1	TITLE: 2BCR3E-FO/90-LX				
.XXX ±.010	.XX ±.25	DATE	26JUL04				
ANGLES ± 0° 30'	FINISH: BOARD: NICKEL/GOLD JACKET: NICKEL/SILVER RESONATOR: SILVER		DRAWING No.		SHEET OF 1 1		
COMNAV ENGINEERING INC		0L0548					