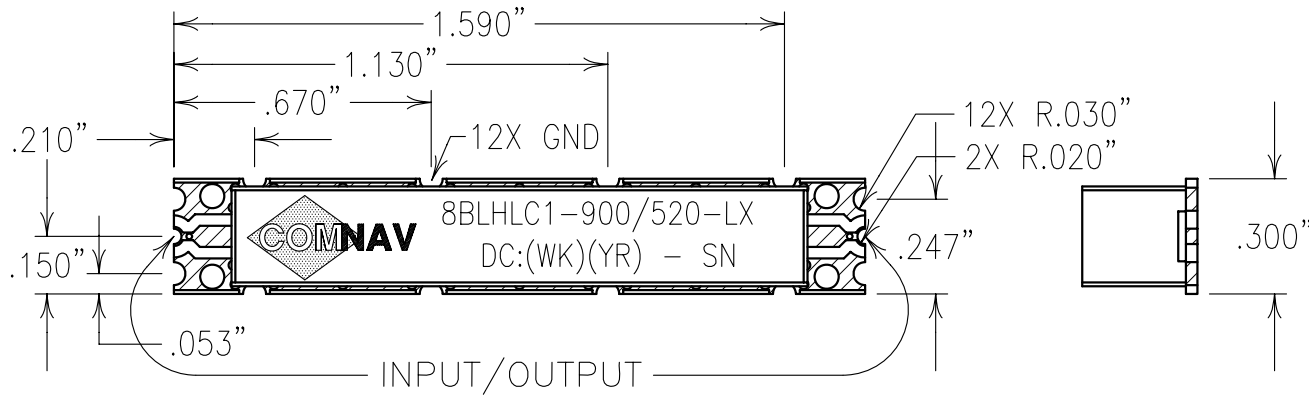


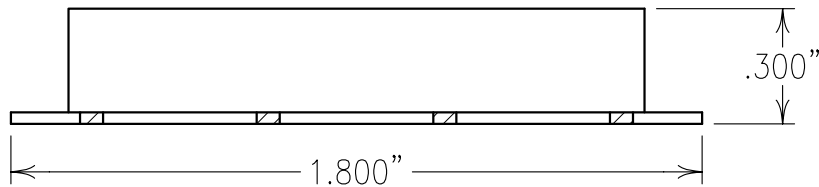
2

1

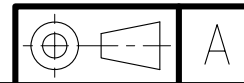
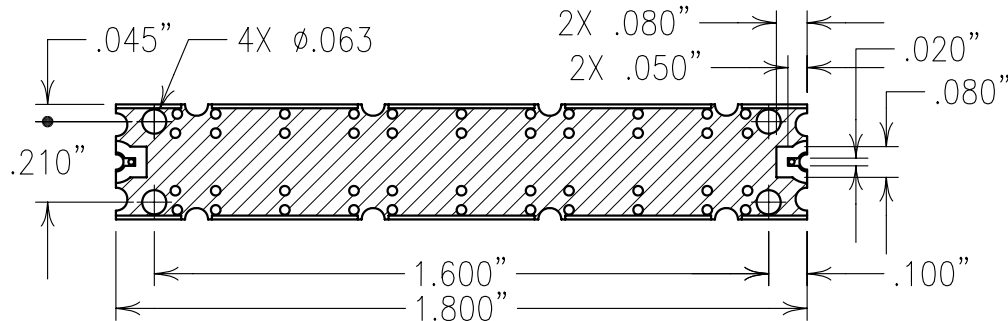


ELECTRICAL CHARACTERISTICS

CENTER FREQUENCY:	900 MHz
3 dB BANDWIDTH:	520 MHz NOM
PASSBAND:	744-1056 MHz
PASSBAND LOSS:	<1.0 dB
PASSBAND VSWR:	1.5:1
50 dB REJECTION:	200, 1700 MHz
POWER HANDLING:	2 WATTS AVE, 20 WATTS PK
TEMP RANGE:	-45 TO +85°C



COPY



Confidential and Proprietary information of ComNav Engineering Inc. Do Not Duplicate or Use Without Permission. ComNav Engineering Inc. claims Copyright in this document as of the Creation, last revision, and last updated dates. All Rights Reserved.

NOTES:
FOR RECOMMENDED FOOTPRINT SEE FP0094.

ENGLISH / METRIC ENGLISH	CHECKED BY					
TOLERANCES UNLESS OTHERWISE SPECIFIED	DRAWN BY	A	09JUL04	PBF	DEV.	GEN. REV. PER 2263
MACHINED SURFACES TO BE 125 OR BETTER	ENGINEER	II	25JUN04	MJG	DEV.	INI. ISS. PER 2262
REMOVE ALL BURRS	REV		DATE	BY	DCN No.	REMARKS
ENGLISH (INCHES)	METRIC (MM)	SCALE	APPLIC:			
.XX ±.01	.X ±.2	2:1	LC COAXIAL FILTER			
.XXX ±.005	.XX ±.13	DATE	TITLE:			
ANGLES ± 0° 30'	09JUL04	8BLHLC1-900/520-LX				
COMNAV ENGINEERING INC	FINISH: COVER: NICKEL/SILVER BASE: NICKEL/GOLD				DRAWING No.	SHEET OF
					0L0547	1 1

B

A