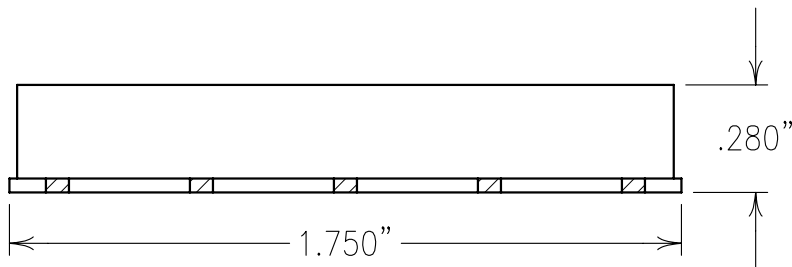
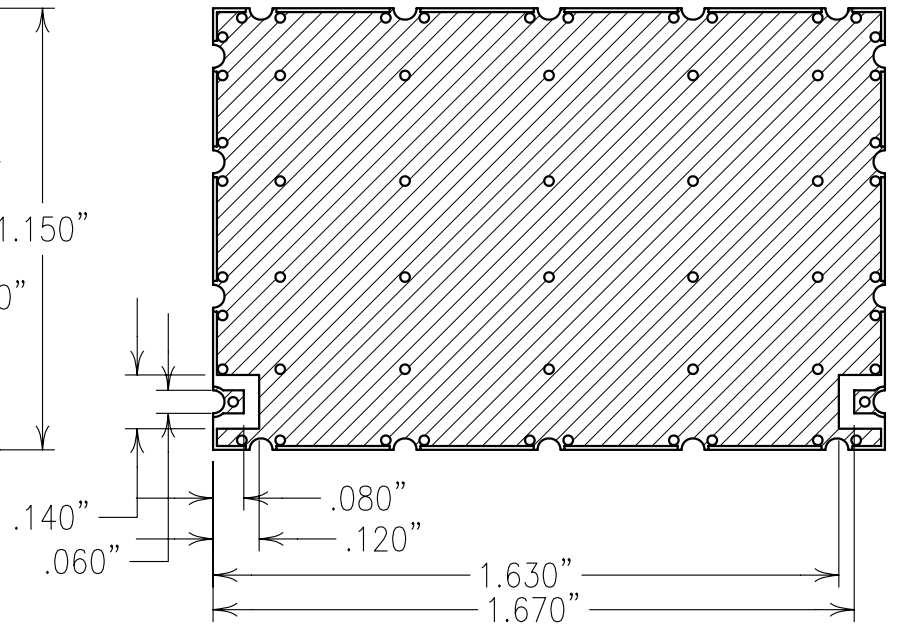
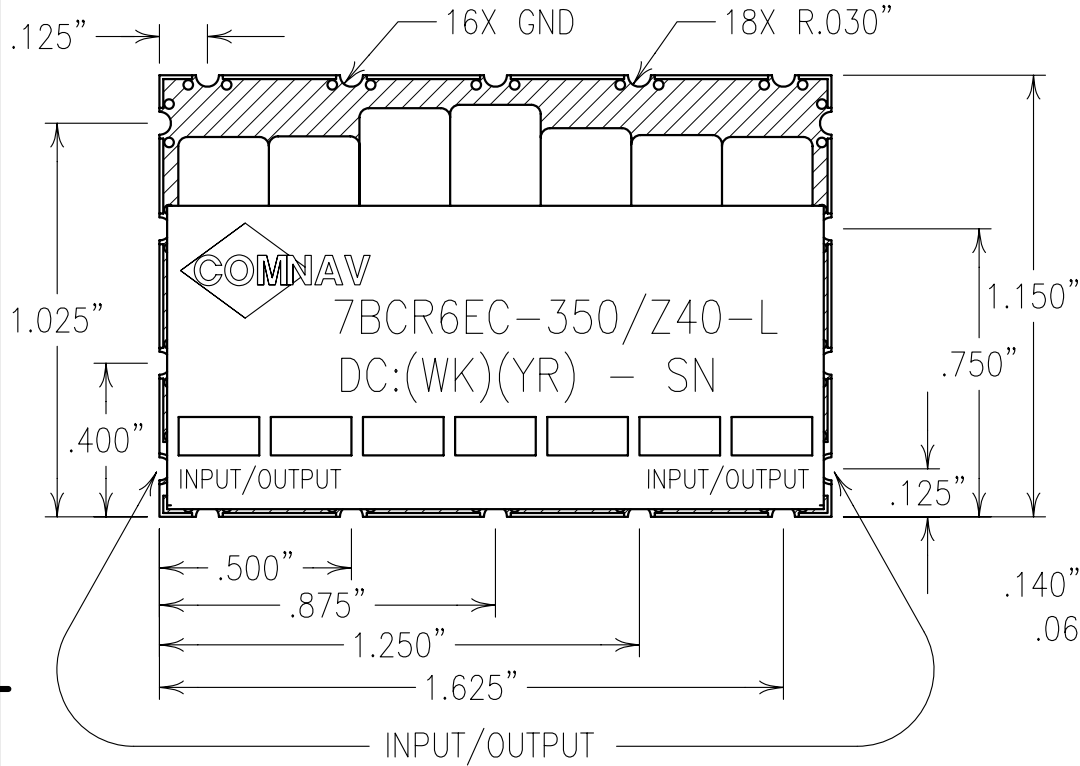


2

1



COPY

NOTES:

RECOMMENDED ATTACHMENT METHOD:
SILVER EPOXY OR REFLOW NOT TO EXCEED AS INDICATED BELOW:

TEMP.(°C)	MAX.TIME(SEC)
215	90
230	60
245	30
260	15

ELECTRICAL CHARACTERISTICS

CENTER FREQUENCY	350 MHz
3dB BANDWIDTH	40 MHz NOM
PASSBAND:	336-364 MHz
LOSS:	< 2.5 dB
FLATNESS:	< 1.0 dB
VSWR:	< 1.5:1
DELAY VAR.:	<12 nSec
REJECTION:	> 63 dBc:
	F0 ±40 MHz

Confidential and Proprietary information of ComNav Engineering Inc. Do Not Duplicate or Use Without Permission. ComNav Engineering Inc. claims Copyright in this document as of the Creation, last revision, and last updated dates. All Rights Reserved.

ENGLISH / METRIC		CHECKED BY					
ENGLISH							
TOLERANCES UNLESS OTHERWISE SPECIFIED	DRAWN BY						
MACHINED SURFACES TO BE 125 / OR BETTER	PBF	II	11MAR04	MJG	DEV.	INI.	ISS. PER 2209
REMOVE ALL BURRS	ENGINEER	REV	DATE	BY	DCN No.	REMARKS	
	MJG						
ENGLISH (INCHES)	METRIC (MM)	SCALE	APPLIC:				
.XX ±.02	.X ±.25	2:1	CERAMIC COAXIAL FILTER				
.XXX ±.010	.XX ±.13	DATE	TITLE:				
ANGLES ± 0° 30'		21APR04	7BCR6EC-350/Z40-L				
FINISH: JACKET: NI/SILVER		DRAWING No.			SHEET OF		
RESONATOR: SILVER		0L0540			1 1		
BOARD: NICKEL/GOLD							