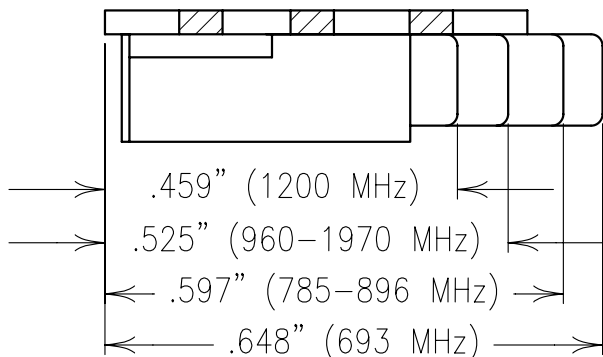


2

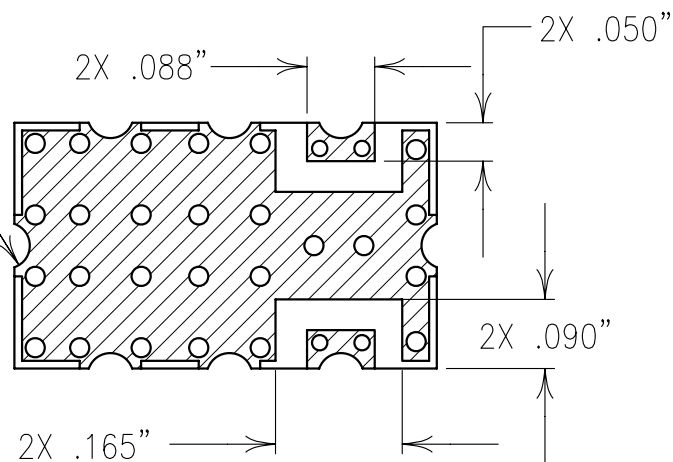
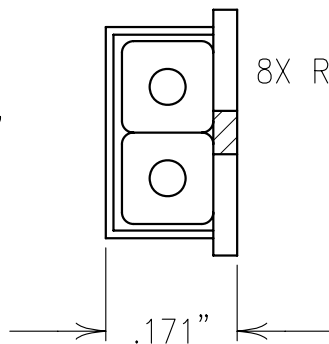
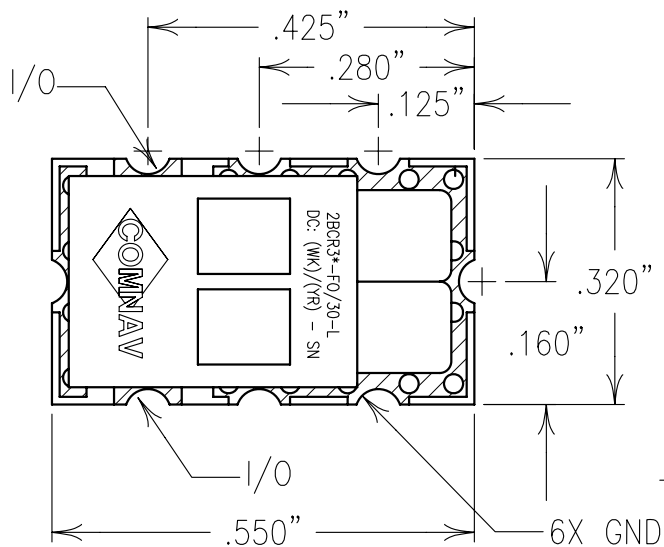
1

ACTUAL LENGTHS



COPY

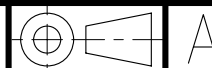
PART NUMBERS	ELECTRICAL CHARACTERISTICS
2BCR3E-693/30-L	CENTER FREQUENCY fo(*): 693, 785, 872, 896,
2BCR3E-785/30-L	960, 1000, 1200,
2BCR3E-872/30-L	1626, 1970 MHz
2BCR3E-896/30-L	3dB BANDWIDTH: 30 MHz NOM.
2BCR3E-960/30-L	LOSS @ FO FOR 693, 785,
2BCR3E-1000/30-L	872,896,960 MHz: <1.5 dB
2BCR3E-1200/30-L	LOSS @ FO FOR 1000,
2BCR3E-1626/30-L	1200,1626,1970 MHz: <2.5 dB
2BCR3B-1970/30-L	VSWR: <1:7:1
	REJECTION: 30 dBc: FO±100 MHz



NOTES:
 FOR RECOMMENDED FOOTPRINT SEE FP0015.
 RECOMMENDED ATTACHMENT METHOD: SILVER EPOXY
 OR REFLOW NOT TO EXCEED AS INDICATED BELOW:
 TEMP.(°C) MAX.TIME(SEC)

215	90
230	60
245	30
260	15

Confidential and Proprietary information of ComNav Engineering Inc. Do Not Duplicate or Use Without Permission. ComNav Engineering Inc. claims Copyright in this document as of the Creation, last revision, and last updated dates. All Rights Reserved.



ENGLISH / METRIC ENGLISH	CHECKED BY	F	26APR07	KJR	DEV.	GEN. REV. PER 2660
TOLERANCES UNLESS OTHERWISE SPECIFIED	DRAWN BY	E	11APR07	KJR	DEV.	GEN. REV. PER 2650
MACHINED SURFACES TO BE 125/10 OR BETTER	ENGINEER	D	20FEB06	KJR	DEV.	GEN. REV. PER 2489
REMOVE ALL BURRS	KJR	REV	DATE	BY	DCN No.	REMARKS
ENGLISH (INCHES)	METRIC (MM)	SCALE	APPLIC: CERAMIC COAXIAL FILTER			
.XX ±.02	.X ±.50	4:1	TITLE: 2BCR3*-FO/30-L			
.XXX ±.010	.XX ±.25	DATE	07MAY07			
ANGLES ± 0° 30'	FINISH: BOARD: NICKEL/GOLD JACKET: NICKEL/SILVER RESONATOR: SILVER		DRAWING No.		SHEET OF 1 1	
COMNAV ENGINEERING INC		0L0538				