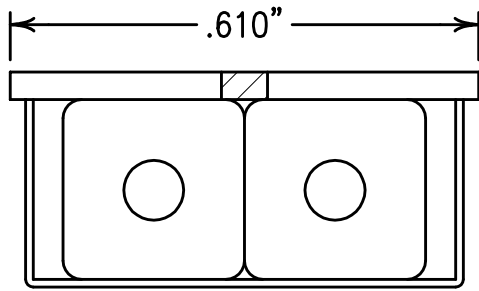


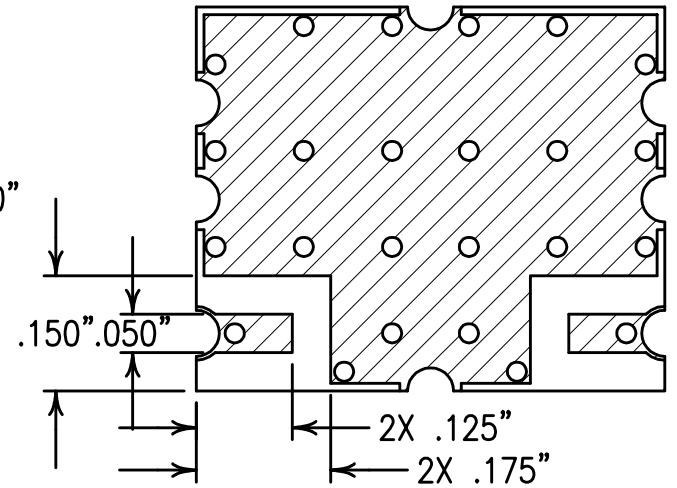
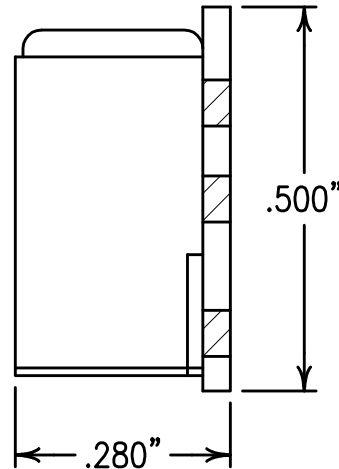
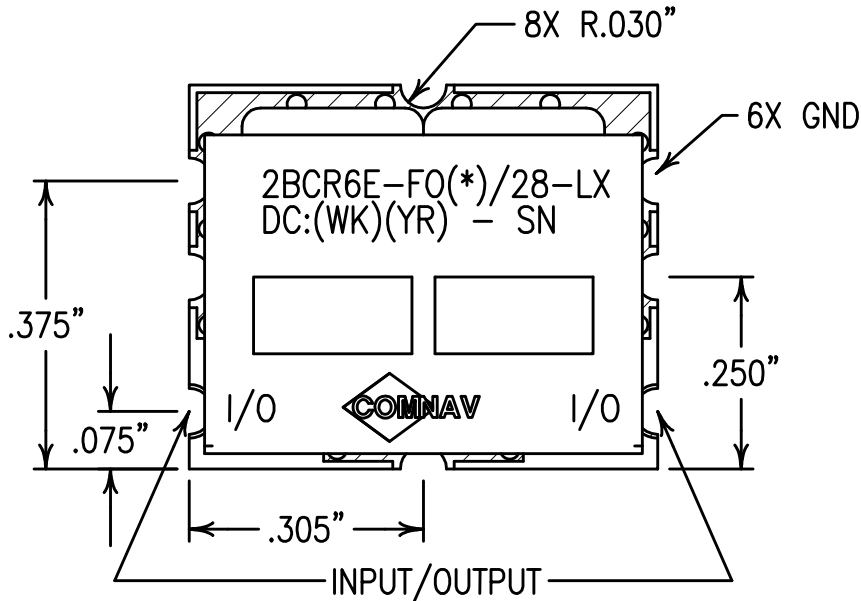
2

1

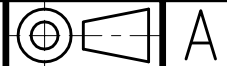


COPY

ELECTRICAL CHARACTERISTICS	
CENTER FREQ(F0(*)):	1030,1090 MHz
3 dB BANDWIDTH:	28 MHz NOM
PASSBAND FREQ.:	F0 ±3 MHz
LOSS:	<1.3 dB
FLATNESS:	0.25 dB
VSWR:	1.2:1
REJECTION:	
32.5 dBc:	F0±86 MHz
10 dBc:	F0±30 MHz



Confidential and Proprietary information of ComNav Engineering Inc. Do Not Duplicate or Use Without Permission. ComNav Engineering Inc. claims Copyright in this document as of the Creation, last revision, and last updated dates. All Rights Reserved.



NOTES:

RECOMMENDED ATTACHMENT METHOD: SILVER EPOXY  
OR REFLOW NOT TO EXCEED AS INDICATED BELOW:  
TEMP.(°C) MAX.TIME(SEC)

215	90
230	60
245	30
260	15

ENGLISH / METRIC ENGLISH	CHECKED BY					
TOLERANCES UNLESS OTHERWISE SPECIFIED MACHINED SURFACES TO BE 125 OR BETTER REMOVE ALL BURRS	DRAWN BY	A	11JUN04	MJG	DEV.	GEN. REV. PER 2257
	ENGINEER	II	08APR04	MJG	DEV.	INI. ISS. PER 2211
	M/JG	REV	DATE	BY	DCN No.	REMARKS
ENGLISH (INCHES)	METRIC (MM)	SCALE	APPLIC:			
.XX ±.02 .XXX ±.010	.X ±.5 .XX ±.25	4:1	CERAMIC COAXIAL FILTER			
ANGLES ± 0° 30'	DATE	TITLE:				
	16JUN04	2BCR6E-F0(*)/28-LX				
	FINISH:	DRAWING No.				
	BOARD: NI/AU PLATED COPPER JACKET: NI/SILVER RESONATOR: SILVER	0L0536				
					SHEET OF	
					1 1	