

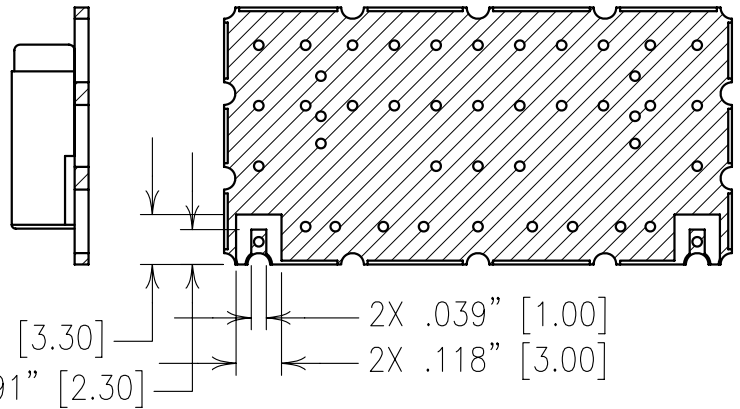
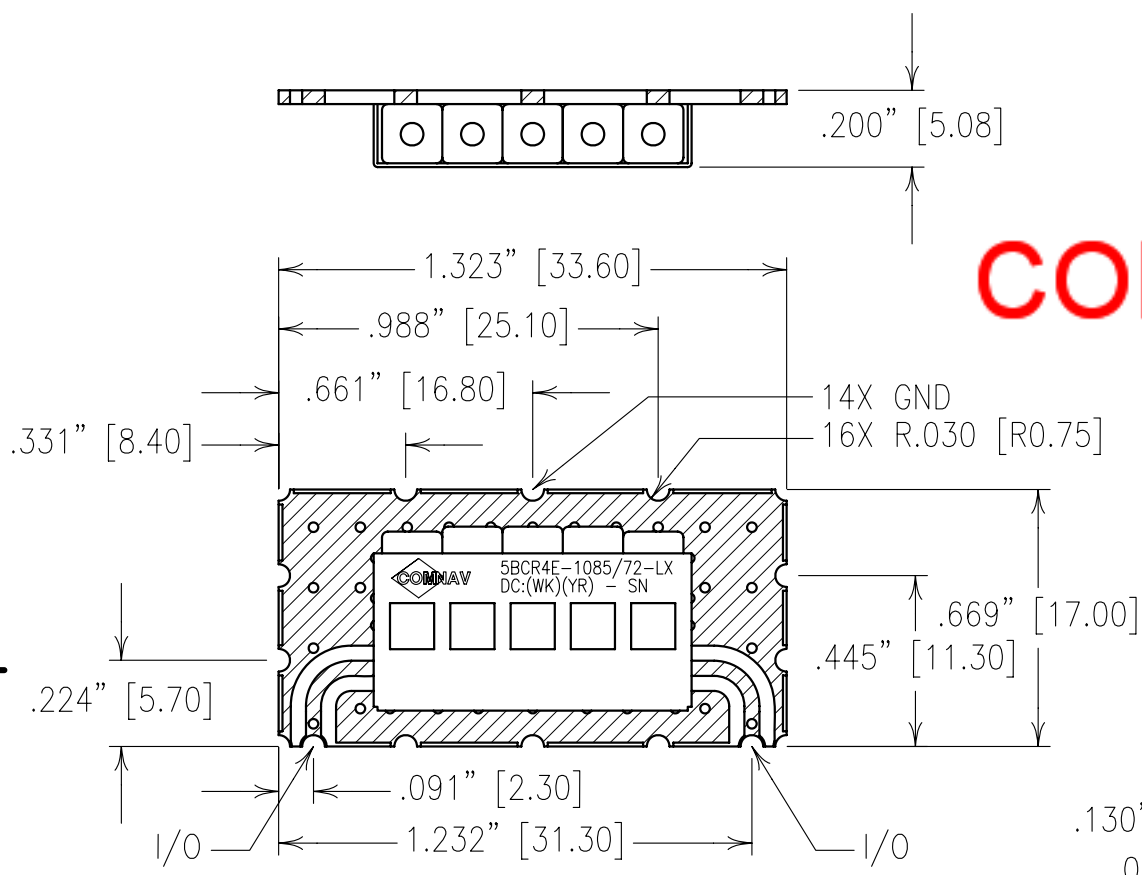
2

1

ELECTRICAL CHARACTERISTICS

CENTER FREQUENCY:	1085 MHz
3 dB BANDWIDTH:	72 MHz NOM
PASSBAND FREQ.:	1071-1099 MHz
LOSS:	<2.0
FLATNESS:	<0.25 dB
VSWR:	1.5:1
DELAY VAR.:	<2 NSEC
REJECTION:	
>55 dBc:	FO±120 MHz
>55 dBc:	FO±161 MHz
>55 dBc:	FO±266 MHz
>60 dBc:	FO±420 MHz

COPY



NOTES:

RECOMMENDED ATTACHMENT METHOD: SILVER EPOXY
OR REFLOW NOT TO EXCEED AS INDICATED BELOW:

TEMP.(°C)	MAX.TIME(SEC)
215	90
230	60
245	30
260	15

Confidential and Proprietary information of ComNav Engineering Inc. Do Not Duplicate or Use Without Permission. ComNav Engineering Inc. claims Copyright in this document as of the Creation, last revision, and last updated dates. All Rights Reserved.

ENGLISH / METRIC ENGLISH	CHECKED BY						
TOLERANCES UNLESS OTHERWISE SPECIFIED	DRAWN BY						
MACHINED SURFACES TO BE 125 / OR BETTER REMOVE ALL BURRS	ENGINEER	II	15MAR04	MJG	DEV.		INI. ISS. PER 2204
ENGLISH (INCHES)	METRIC (MM)	SCALE	APPLIC: CERAMIC COAXIAL FILTER				
.XX ±.02 .XXX ±.010	.X ±.5 .XX ±.25	2:1	DATE	TITLE: 5BCR4E-1085/72-LX			
ANGLES ± 0° 30'		19MAR04	FINISH:	BOARD: NI/AU PLATED COPPER JACKET: NI/SILVER RESONATOR: SILVER			DRAWING No. 0L0534
COMNAV ENGINEERING INC.						SHEET OF 1 1	