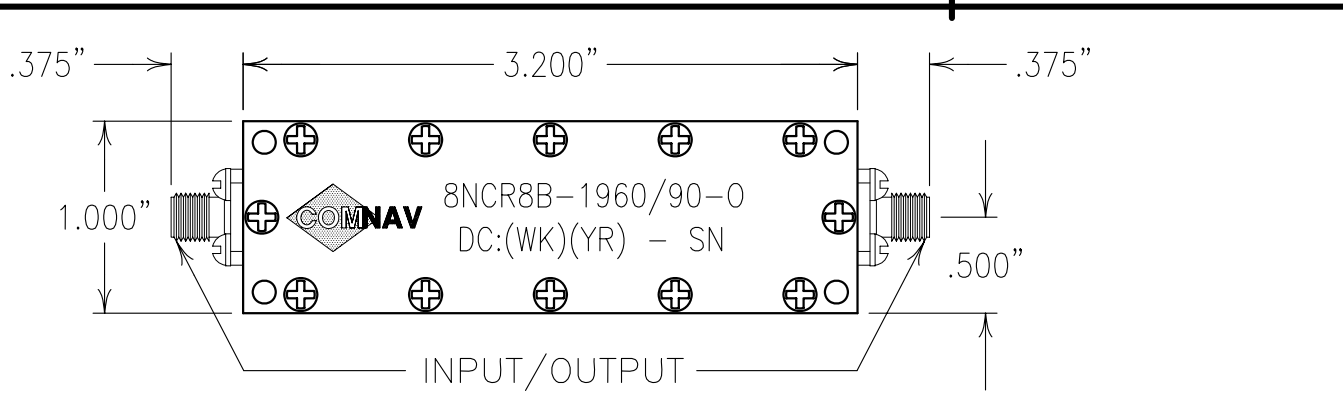


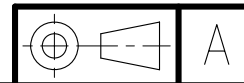
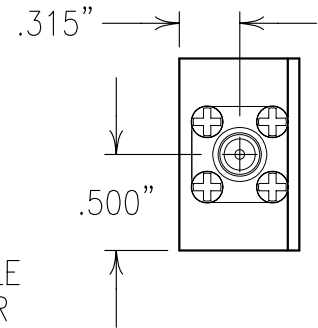
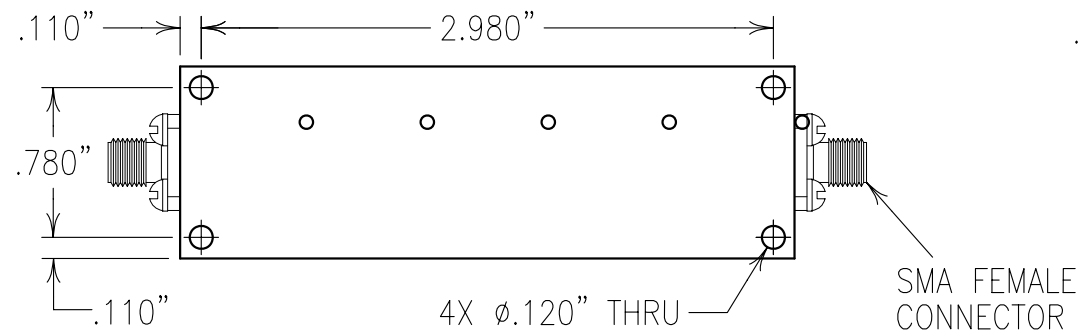
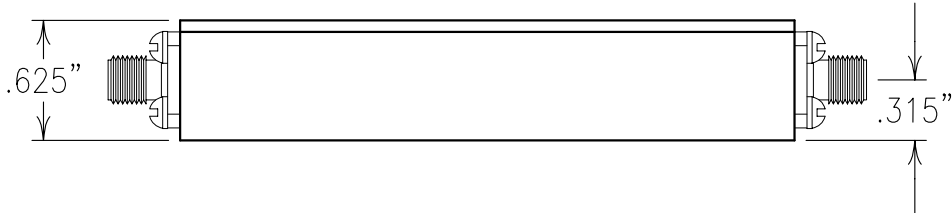
2

1



ELECTRICAL CHARACTERISTICS	
CENTER FREQUENCY:	1960 MHz
3 dB BANDWIDTH:	90 MHz NOM
PASSBANDS:	DC - 1910 MHz 2010-3600 MHz
PASSBAND LOSS:	<2.5 dB
PASSBAND VSWR:	<1.7:1
40 dBc REJECTION:	1930-1990 MHz

COPY



Confidential and Proprietary information of ComNav Engineering Inc. Do Not Duplicate or Use Without Permission. ComNav Engineering Inc. claims Copyright in this document as of the Creation, last revision, and last updated dates. All Rights Reserved.

NOTES:

ENGLISH / METRIC ENGLISH	CHECKED BY				
TOLERANCES UNLESS OTHERWISE SPECIFIED	DRAWN BY				
MACHINED SURFACES TO BE 125 / OR BETTER	ENGINEER	II	10MAR04	MJG	DEV.
REMOVE ALL BURRS	ENGINEER	REV	DATE	BY	DCN No.
ENGLISH (INCHES)	METRIC (MM)	SCALE	APPLIC: CERAMIC COAXIAL FILTER		
.XX ±.01	.X ±.2	1:1	TITLE: 8NCR8B-1960/90-0		
.XXX ±.005	.XX ±.13	DATE	DRAWING No.		
ANGLES ± 0° 30'		16MAR04	SHEET OF 1 1		
	MATERIAL: COVER: ALUMINUM BASE: ALUMINUM	FINISH: COVER: NICKEL PLATE BASE: NICKEL PLATE		DRAWING No. 0L0532	