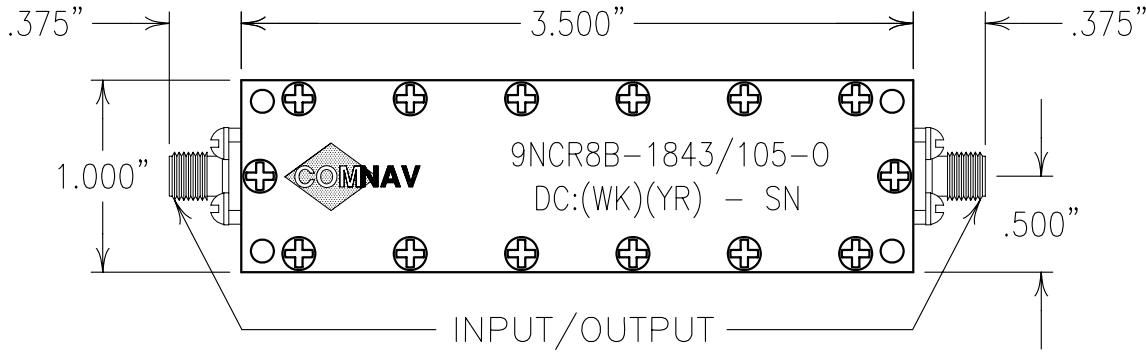


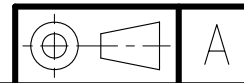
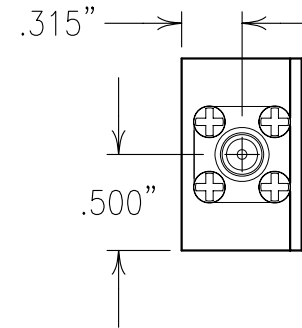
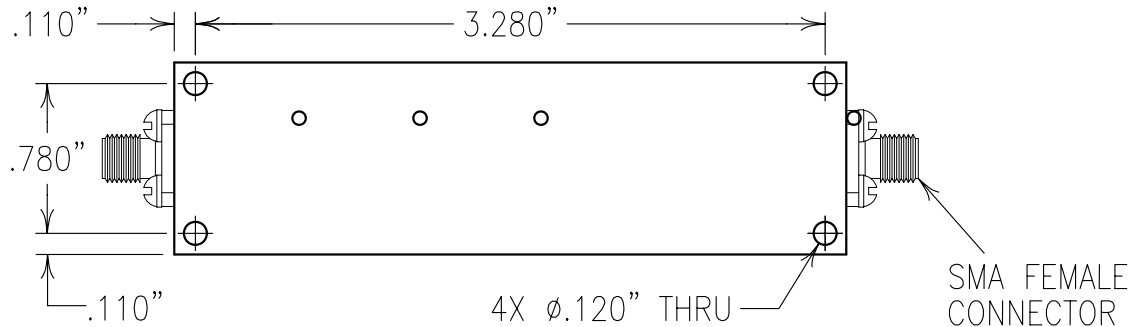
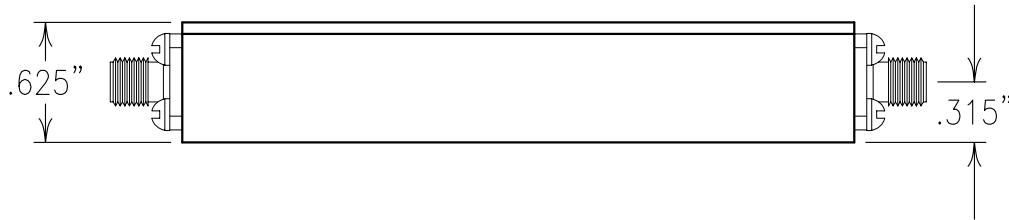
2

1



ELECTRICAL CHARACTERISTICS	
CENTER FREQUENCY:	1842.5 MHz
3 dB BANDWIDTH:	105 MHz NOM
PASSBANDS:	DC - 1785 MHz 1900-3500 MHz
PASSBAND LOSS:	<2.5 dB
PASSBAND VSWR:	<1.7:1
40 dBc REJECTION:	1805-1880 MHz

COPY



Confidential and Proprietary information of ComNav Engineering Inc. Do Not Duplicate or Use Without Permission. ComNav Engineering Inc. claims Copyright in this document as of the Creation, last revision, and last updated dates. All Rights Reserved.

NOTES:

ENGLISH / METRIC ENGLISH		CHECKED BY							
TOLERANCES UNLESS OTHERWISE SPECIFIED		DRAWN BY							
MACHINED SURFACES TO BE 125 / OR BETTER		PBF		II		10MAR04		MJC DEV. INI. ISS. PER 2201	
REMOVE ALL BURRS		ENGINEER		REV		DATE		BY DCN No. REMARKS	
		MJC							
ENGLISH (INCHES)	METRIC (MM)	SCALE		APPLIC: CERAMIC COAXIAL FILTER					
.XX ±.01	.X ±.2	1:1		TITLE: 9NCR8B-1843/105-0					
.XXX ±.005	.XX ±.13	DATE							
ANGLES ± 0° 30'		16MAR04							
COMNAV ENGINEERING INC.		MATERIAL: COVER: ALUMINUM BASE: ALUMINUM				DRAWING No.		SHEET OF	
		FINISH: COVER: NICKEL PLATE BASE: NICKEL PLATE				0L0531		1 1	