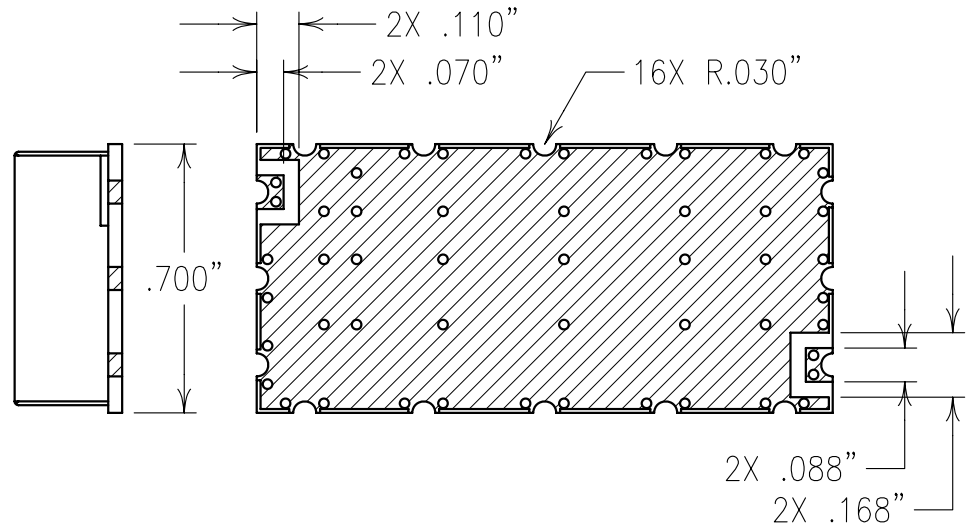
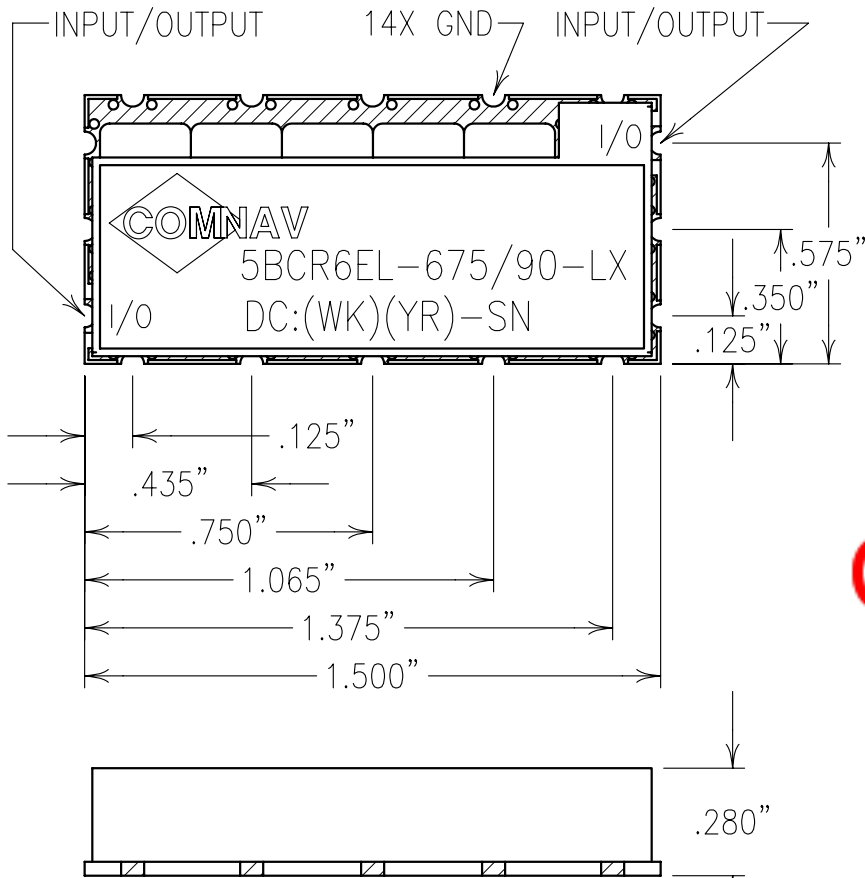


2

1



COPY

ELECTRICAL CHARACTERISTICS	
CENTER FREQUENCY:	675 MHz
3 dB BANDWIDTH:	90 MHz NOM.
1 dB BANDWIDTH:	72 MHz MIN.
LOSS @ FO:	<1.5 dB
DELAY FLATNESS ACROSS 1dB:	
LINEAR:	< 2 NSEC.
PARABOLIC:	< 10 NSEC
40 dB REJECTION:	DC->575, 775->1200 MHz
50 dB REJECTION:	1200-3000 MHz

Confidential and Proprietary information of ComNav Engineering Inc. Do Not Duplicate or Use Without Permission. ComNav Engineering Inc. claims Copyright in this document as of the Creation, last revision, and last updated dates. All Rights Reserved.

NOTES:

RECOMMENDED ATTACHMENT METHOD: SILVER EPOXY
OR REFLOW NOT TO EXCEED AS INDICATED BELOW:

TEMP.(°C)	MAX.TIME(SEC)
215	90
230	60
245	30
260	15

ENGLISH / METRIC ENGLISH	CHECKED BY						
TOLERANCES UNLESS OTHERWISE SPECIFIED	DRAWN BY						
MACHINED SURFACES TO BE 125 / OR BETTER	ENGINEER	II	29JAN04	MJG	DEV.		INI. ISS. PER 2174
REMOVE ALL BURRS	ENGINEER	REV	DATE	BY	DCN No.		REMARKS
ENGLISH (INCHES)	SCALE	APPLIC: COAXIAL FILTER					
METRIC (MM)	DATE	TITLE: 5BCR6EL-675/90-LX					
.XX ±.02 .XXX ±.010	12FEB04	FINISH: BOARD: NI/AU PLATED COPPER JACKET: NI/SILVER RESONATOR: SILVER					
ANGLES ± 0° 30'		DRAWING No.				SHEET OF 1 1	
		0L0516					