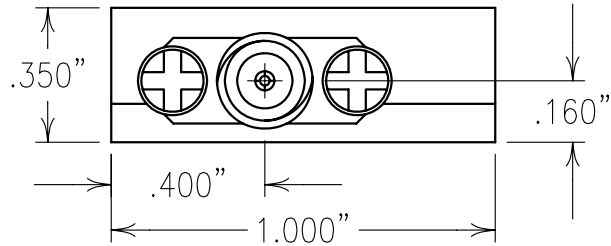


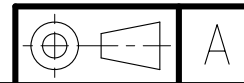
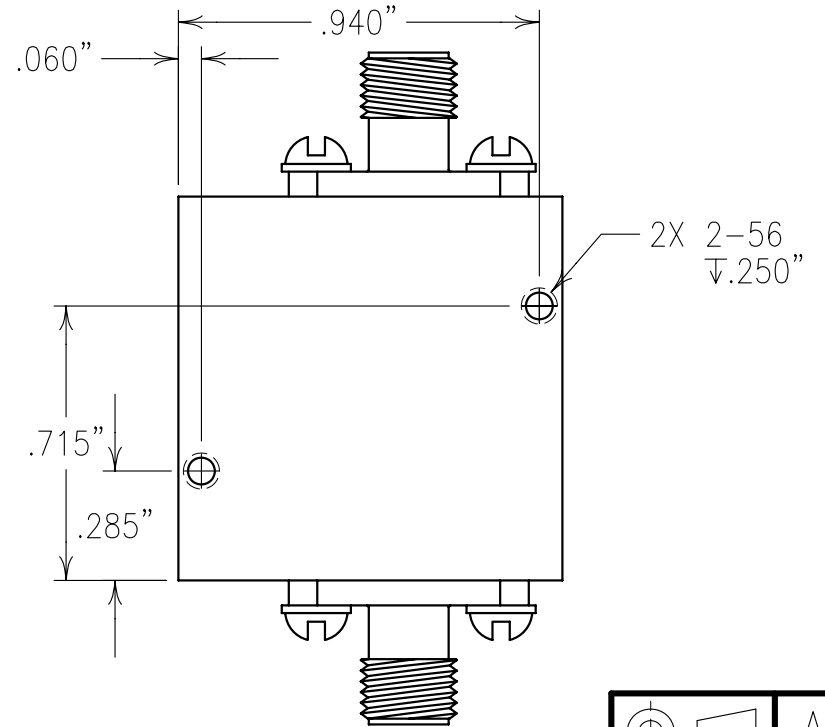
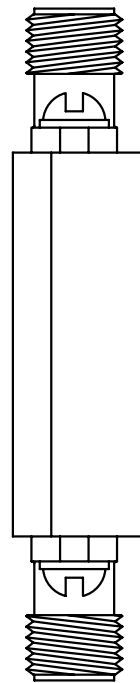
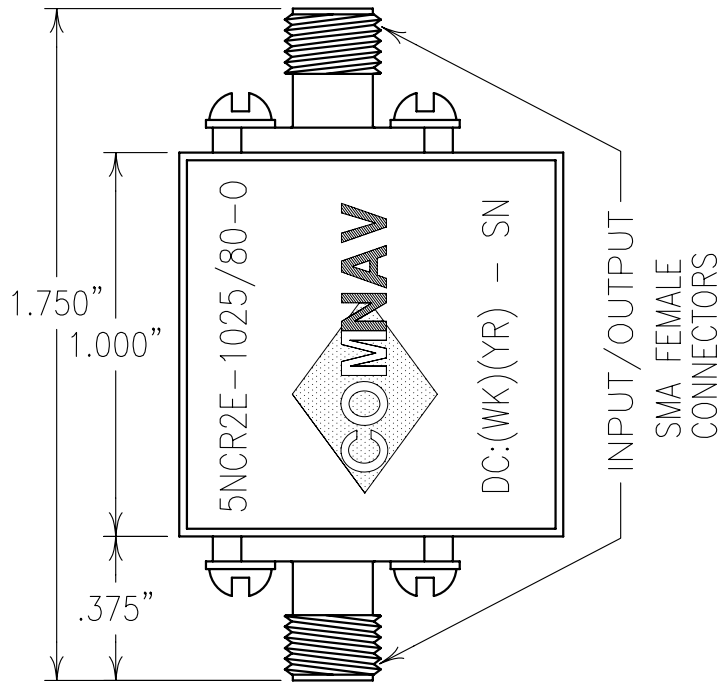
2

1



COPY

ELECTRICAL CHARACTERISTICS	
NOTCH FREQUENCY:	1025±25 MHz
NOTCH DEPTH:	>25 dBc
PASSBAND:	DC-950 MHz
PASSBAND LOSS:	<1.0
PASSBAND VSWR:	1.5:1



Confidential and Proprietary information of ComNav Engineering Inc. Do Not Duplicate or Use Without Permission. ComNav Engineering Inc. claims Copyright in this document as of the Creation, last revision, and last updated dates. All Rights Reserved.

NOTES:

ENGLISH / METRIC ENGLISH		CHECKED BY			
TOLERANCES UNLESS OTHERWISE SPECIFIED		DRAWN BY			
MACHINED SURFACES TO BE 125 / OR BETTER		PBF			
REMOVE ALL BURRS		ENGINEER			
		M/JG			
		REV	DATE	BY	DCN No.
		II	21JAN04	M/JG	DEV.
					INI. ISS. PER 2161
		REMARKS			
ENGLISH (INCHES)	METRIC (MM)	SCALE		APPLIC:	
.XX ±.01	.X ±.2	2:1		CERAMIC COAXIAL FILTER	
.XXX ±.005	.XX ±.13	DATE		TITLE:	
ANGLES ± 0° 30'		27JAN04		5NCR2E-1025/80-0	
		MATERIAL: COVER: ALUMINUM BASE: ALUMINUM			DRAWING No.
		FINISH: COVER: NICKEL PLATE BASE: NICKEL PLATE			0L0514
					SHEET OF 1 1