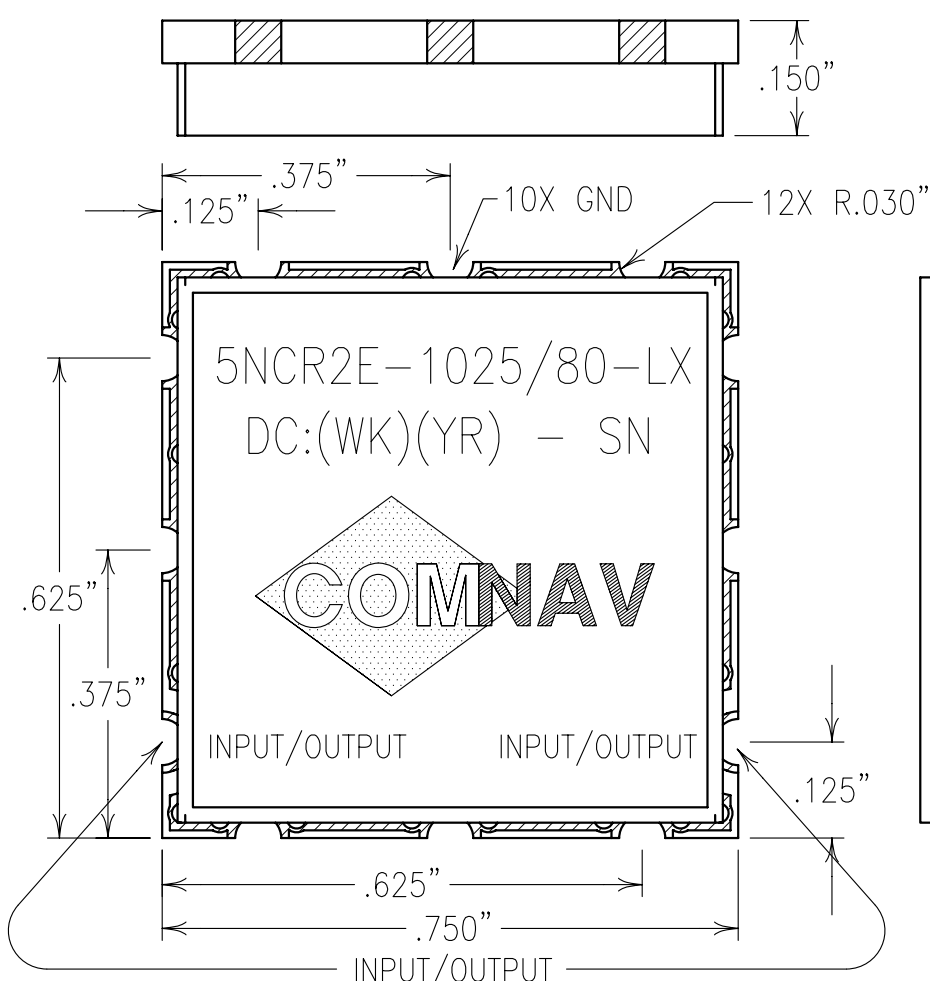


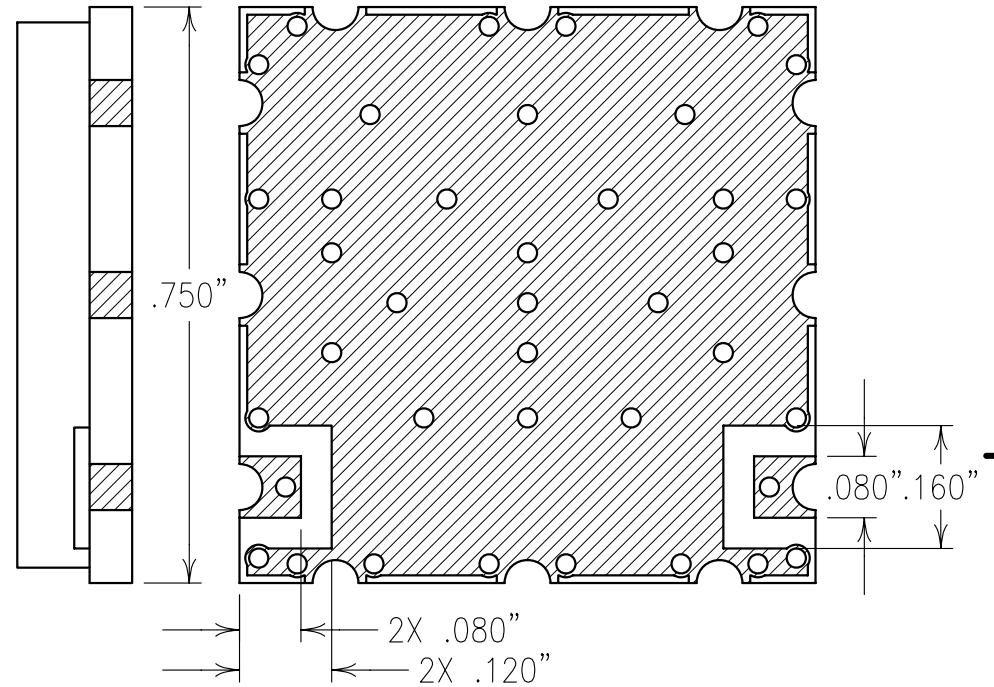
2

1



COPY

ELECTRICAL CHARACTERISTICS	
NOTCH FREQUENCY:	1025±25 MHz
NOTCH DEPTH:	>25 dBc
PASSBAND:	DC-950 MHz
PASSBAND LOSS:	<1.0
PASSBAND VSWR:	1.5:1



NOTES:

RECOMMENDED ATTACHMENT METHOD: SILVER EPOXY OR REFLOW NOT TO EXCEED AS INDICATED BELOW:

TEMP.(°C)	MAX.TIME(SEC)
215	90
230	60
245	30
260	15

Confidential and Proprietary information of ComNav Engineering Inc. Do Not Duplicate or Use Without Permission. ComNav Engineering Inc. claims Copyright in this document as of the Creation, last revision, and last updated dates. All Rights Reserved.

ENGLISH / METRIC ENGLISH	CHECKED BY								
TOLERANCES UNLESS OTHERWISE SPECIFIED	DRAWN BY								
MACHINED SURFACES TO BE 125 OR BETTER	ENGINEER	II	21JAN04	MJG	DEV.			INI. ISS. PER 2161	
REMOVE ALL BURRS	ENGINEER							REMARKS	
ENGLISH (INCHES)	METRIC (MM)	SCALE	APPLIC: CERAMIC COAXIAL FILTER						
.XX ±.02	.X ±.5	4:1	TITLE: 5NCR2E-1025/80-LX						
.XXX ±.010	.XX ±.25	DATE	27JAN04						
ANGLES ± 0° 30'		FINISH:	BOARD: NI/AU JACKET: NI/SILVER				DRAWING No.		SHEET OF
							0L0513		1 1