

**COPY**

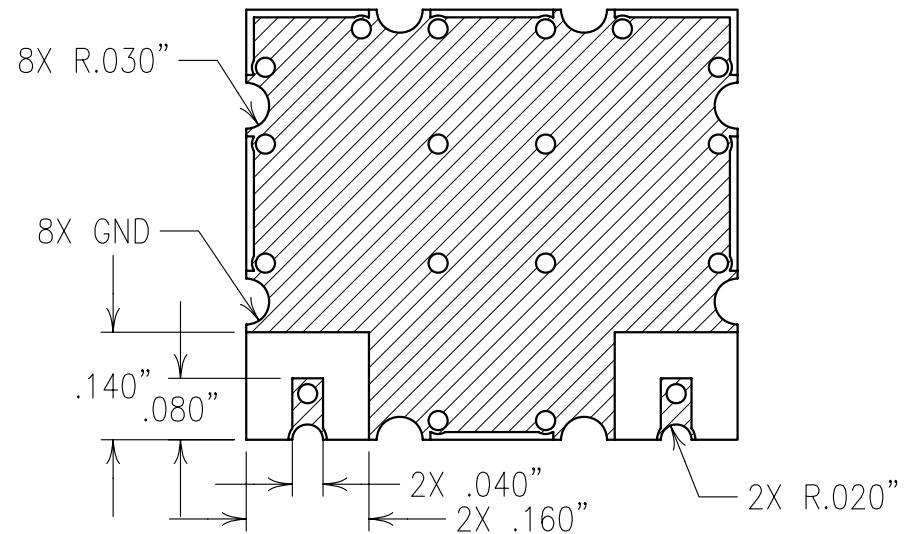
**ELECTRICAL CHARACTERISTICS**

CENTER FREQUENCY: 942 MHz  
 INSERTION LOSS: <1.75 dB  
 PASSBAND (-3 dB):  $f_0 \pm 20$  MHz MIN /  $f_0 \pm 32$  MHz MAX  
 PASSBAND FLATNESS: 0.5 dB PK-PK MAX WITHIN  $f_0 \pm 10$  MHz  
 PASSBAND VSWR:  $\leq 1.5:1$  WITHIN  $f_0 \pm 10$  MHz

**REJECTION (RELATIVE TO  $f_0$ )**

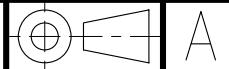
@ 662 MHz: >75 dB	@ 1464 MHz: >50 dB	@ 2546 MHz: >25 dB
@ 872 MHz: >30 dB	@ 1744 MHz: >45 dB	
@ 1012 MHz: >30 dB	@ 2266 MHz: >35 dB	

IMPEDANCE: 50 OHMS



NOTES:  
 FOR RECOMMENDED FOOTPRINT SEE FP0089.

Confidential and Proprietary information of ComNav Engineering Inc. Do Not Duplicate or Use Without Permission. ComNav Engineering Inc. claims Copyright in this document as of the Creation, last revision, and last updated dates. All Rights Reserved.



ENGLISH / METRIC ENGLISH	CHECKED BY					
TOLERANCES UNLESS OTHERWISE SPECIFIED MACHINED SURFACES TO BE 125 / OR BETTER REMOVE ALL BURRS	DRAWN BY	A	23JAN04	MJG	DEV.	GEN. REV. PER 2164
	ENGINEER	II	19DEC03	MJG	DEV.	INI. ISS. PER 2157
	MJG	REV	DATE	BY	DCN No.	REMARKS
ENGLISH (INCHES)	METRIC (MM)	SCALE	APPLIC: CERAMIC COAXIAL FILTER			
.XX ±.02 .XXX ±.01	.X ±.25 .XX ±.13	4:1	TITLE: 4BCR4E-942/50-LX			
ANGLES ± 0° 30'		DATE	23JAN04			
	FINISH:	BOARD: NI/AU PLATED COPPER				DRAWING No.
		JACKET: NI/SILVER RESONATOR: SILVER				0L0509
						SHEET OF 1 1