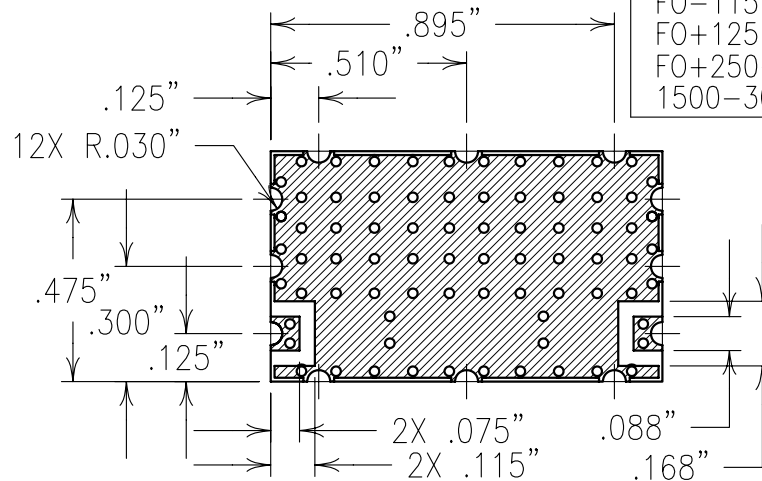
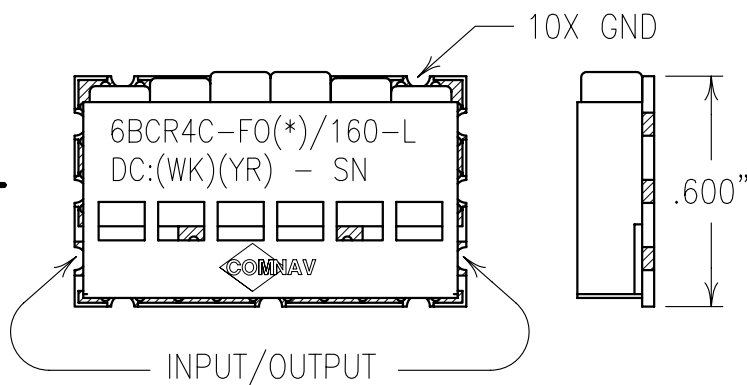
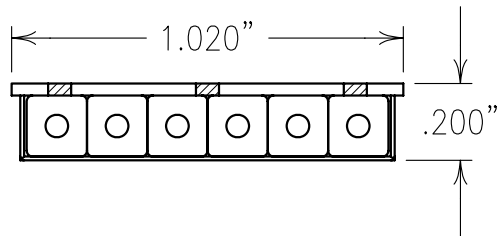


COPY

PART NUMBERS	ELECTRICAL CHARACTERISTICS
6BCR4C-1170/160-L	CENTER FREQUENCY: 1170, 1220
6BCR4C-1220/160-L	OR 1270 MHz
6BCR4C-1270/160-L	3 dB BANDWIDTH: 160 MHz NOM
	PASSBAND: FO±50 MHz
	LOSS: <1.2 dB
	FLATNESS: <0.5 dB
	VSWR: 1.5:1 TYP
	DELAY VAR: <2.5 nSEC
	REJECTION:
	DC->500 MHz: >60 dBc
	500->FO-300 MHz: >30 dBc
	FO-200 MHz: >20 dBc
	FO-115 MHz: >10 dBc
	FO+125 MHz: >20 dBc
	FO+250->1500 MHz: >60 dBc
	1500-3000 MHz: >30 dBc

Customer Validation:



Confidential and Proprietary information of ComNav Engineering Inc. Do Not Duplicate or Use Without Permission. ComNav Engineering Inc. claims Copyright in this document as of the Creation, last revision, and last updated dates. All Rights Reserved.

NOTES:
FOR RECOMMENDED FOOTPRINT SEE FP0086.

RECOMMENDED ATTACHMENT METHOD: SILVER EPOXY OR REFLOW NOT TO EXCEED AS INDICATED BELOW:

TEMP.(°C)	MAX.TIME(SEC)
215	90
230	60
245	30
260	15

ENGLISH / METRIC ENGLISH	CHECKED BY				
TOLERANCES UNLESS OTHERWISE SPECIFIED	DRAWN BY				
MACHINED SURFACES TO BE 125 / OR BETTER REMOVE ALL BURRS	ENGINEER	II	09DEC03	MJG	DEV. INI. ISS. PER 2151
ENGLISH (INCHES)	SCALE	2:1	APPLIC: CERAMIC COAXIAL FILTER		
METRIC (MM)	DATE	15DEC03	TITLE: 6BCR4C-FO(*)/160-L		
ANGLES ± 0° 30'	FINISH:	BOARD: NI/AU PLATED COPPER		DRAWING No. 0L0506	
	JACKET: NI/SILVER	RESONATOR: SILVER		SHEET OF 1 1	