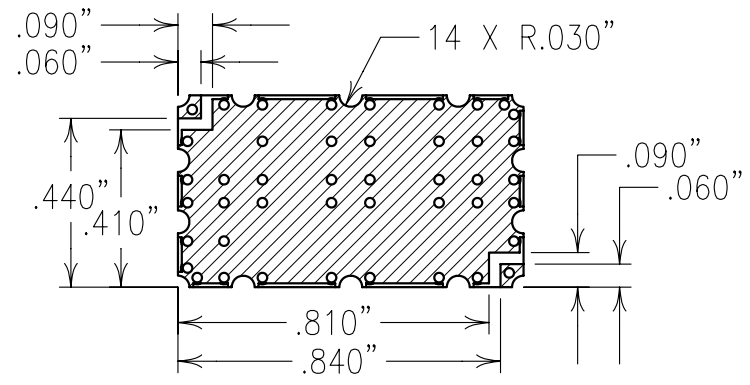
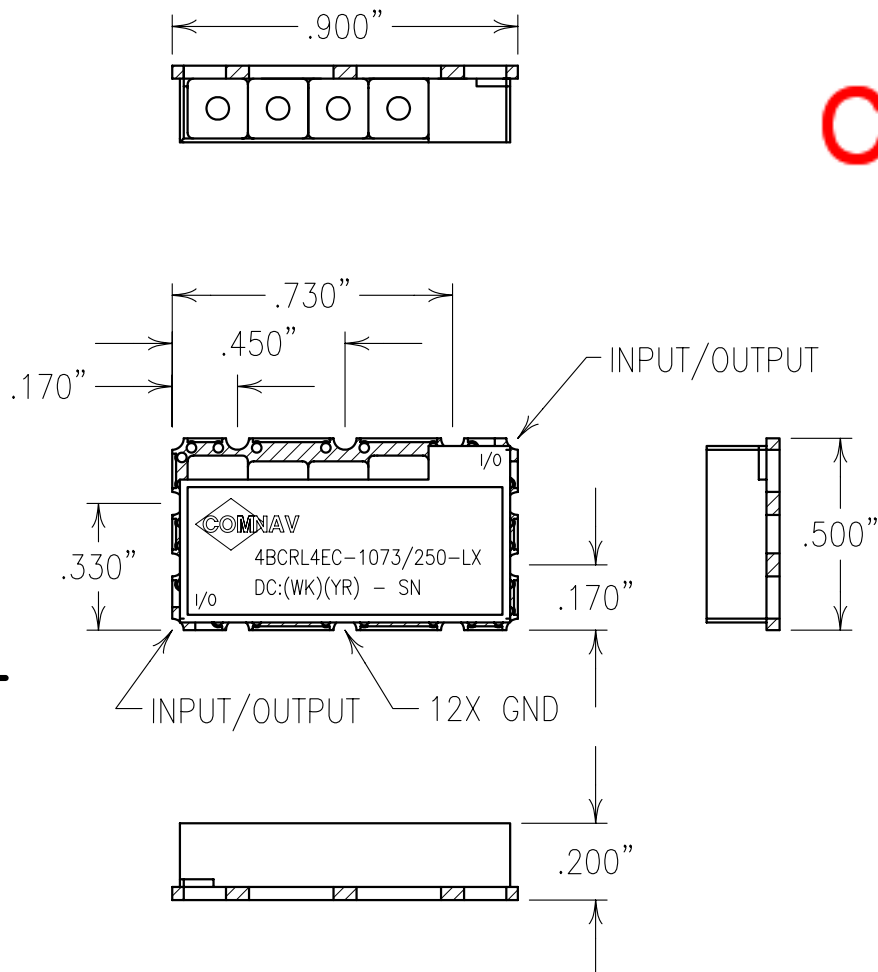


COPY

ELECTRICAL CHARACTERISTICS	
CENTER FREQUENCY:	1072.5 MHz
3 dB BANDWIDTH:	250 MHz NOM
LOSS @ fo:	<1.5 dB
PASSBAND:	985-1160 MHz
FLATNESS:	<0.5 dB
VSWR:	1.5:1 TYP
DELAY VAR:	<5 nSEC
REJECTION:	
DC->900 MHz:	>16 dB
1385->6000 MHz:	>30 dB



NOTES:

RECOMMENDED ATTACHMENT METHOD: SILVER EPOXY OR REFLOW NOT TO EXCEED AS INDICATED BELOW:

TEMP.(°C)	MAX.TIME(SEC)
215	90
230	60
245	30
260	15

Confidential and Proprietary information of ComNav Engineering Inc. Do Not Duplicate or Use Without Permission. ComNav Engineering Inc. claims Copyright in this document as of the Creation, last revision, and last updated dates. All Rights Reserved.						A	
ENGLISH / METRIC ENGLISH	CHECKED BY						
TOLERANCES UNLESS OTHERWISE SPECIFIED	DRAWN BY	A	27FEB04	SCB	DEV.	GEN. REV. PER 2188	
MACHINED SURFACES TO BE 125 / OR BETTER	ENGINEER	II	04DEC03	MJG	DEV.	INI. ISS. PER 2148	
REMOVE ALL BURRS	ENGINEER	REV	DATE	BY	DCN No.	REMARKS	
ENGLISH (INCHES)	METRIC (MM)	SCALE	APPLIC:				
.XX ±.02	.X ±.50	2:1	CERAMIC/LC COAXIAL FILTER				
.XXX ±.010	.XX ±.25	DATE	TITLE:				
ANGLES ± 0° 30'		27FEB04	4BCRL4EC-1073/250-LX				
COMNAV ENGINEERING INC.		FINISH:			DRAWING No.		SHEET OF
		BOARD: NI/AU JACKET: NI/SILVER RESONATOR: SILVER			010503		1 1