

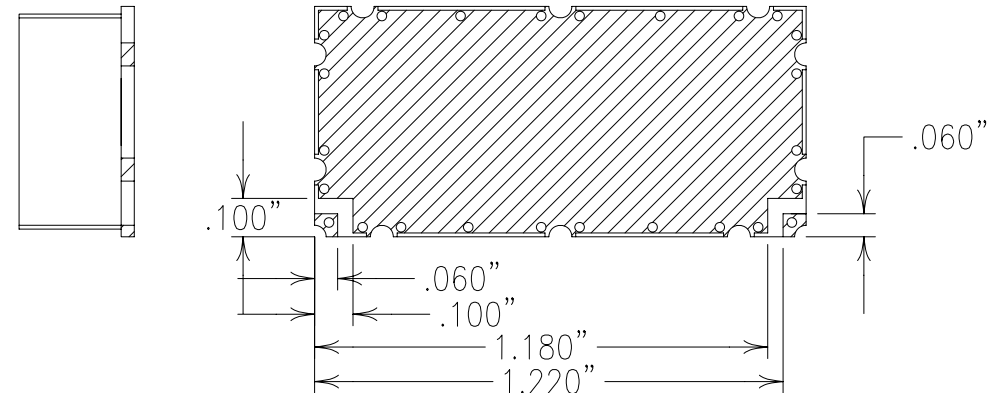
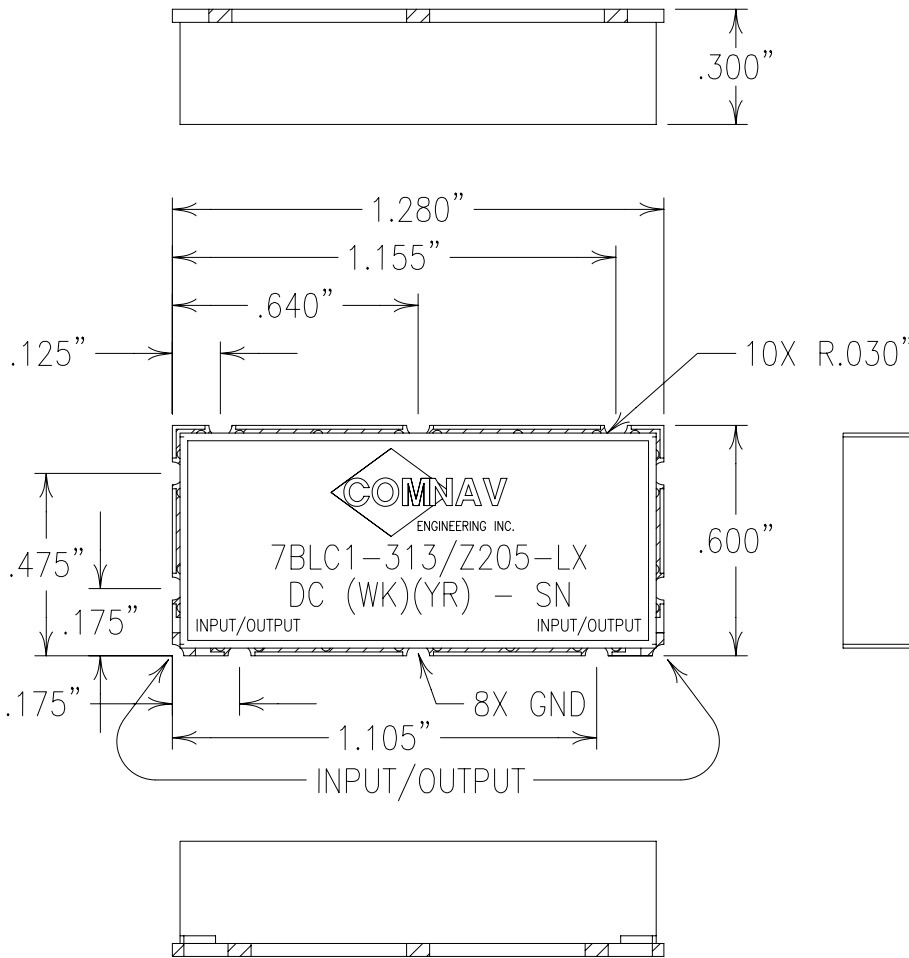
2

1

ELECTRICAL CHARACTERISTICS

CENTER FREQUENCY:	312.5 MHz
3 dB BANDWIDTH:	205 MHz NOM.
LOSS @ F0:	<1.0 dB
PASSBAND:	225-400 MHz
FLATNESS:	<0.5 dB
VSWR:	1.5:1 TYP.
DELAY VAR:	<10 nSEC
REJECTION:	
DC->175 MHz:	>35 dBc
450-985 MHz:	>20 dBc
985-1220 MHz:	>45 dBc
1220-1400 MHz:	>55 dBc
1400-2200 MHz:	>20 dBc
2200-2700 MHz:	>60 dBc
2700-6000 MHz:	>20 dBc

COPY



NOTES:

RECOMMENDED ATTACHMENT METHOD: SILVER EPOXY OR REFLOW NOT TO EXCEED AS INDICATED BELOW:

TEMP.(°C)	MAX.TIME(SEC)
215	90
230	60
245	30
260	15

Confidential and Proprietary information of ComNav Engineering Inc. Do Not Duplicate or Use Without Permission. ComNav Engineering Inc. claims Copyright in this document as of the Creation, last revision, and last updated dates. All Rights Reserved.

ENGLISH / METRIC ENGLISH	CHECKED BY					
TOLERANCES UNLESS OTHERWISE SPECIFIED MACHINED SURFACES TO BE 125 OR BETTER REMOVE ALL BURRS	DRAWN BY PBF					
	ENGINEER MJG	II	04DEC03	MJG	DEV.	INI. ISS. PER 2147
		REV	DATE	BY	DCN No.	REMARKS

ENGLISH (INCHES) .XX ±.02 .XXX ±.010	METRIC (MM) .X ±.25 .XX ±.13	SCALE 2:1	APPLIC: CERAMIC COAXIAL FILTER
ANGLES ± 0° 30'		DATE 15DEC03	TITLE: 7BLC1-313/Z205-LX

	FINISH: BOARD: NI/AU PLATED COPPER JACKET: NI/SILVER	DRAWING No. OL0502	SHEET OF 1 1
--	---	-----------------------	-----------------