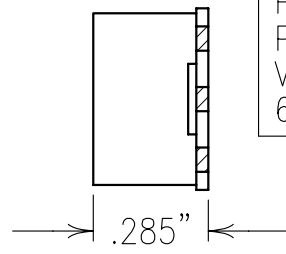
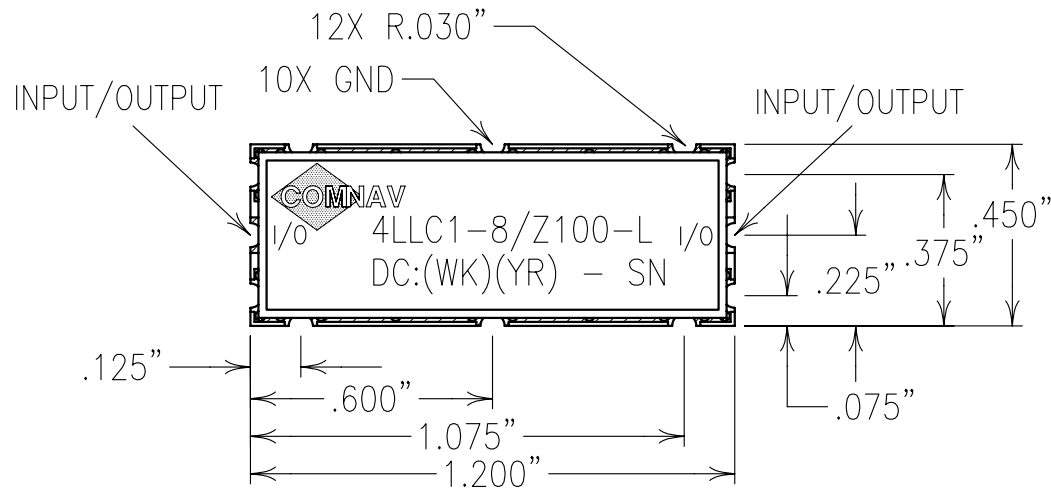


2

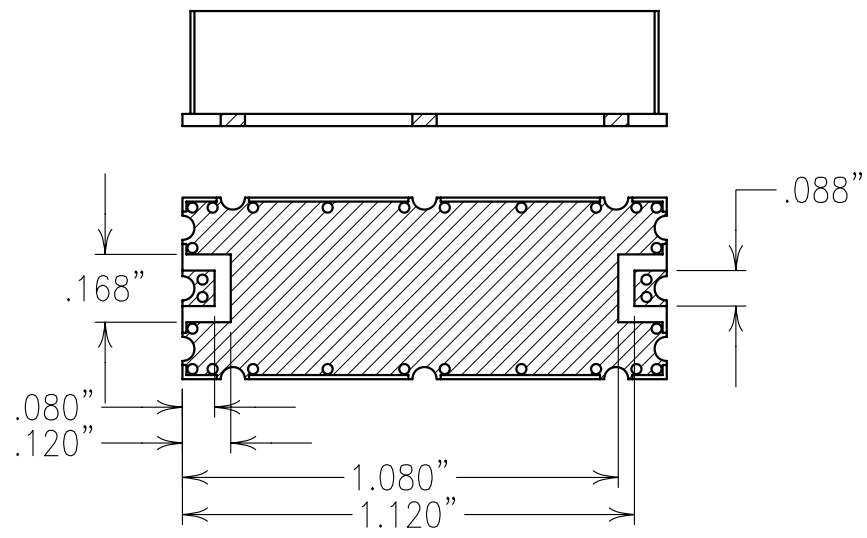
1



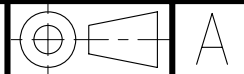
ELECTRICAL CHARACTERISTICS

3 dB CUTOFF FREQUENCY:	8 MHz MIN
PASSBAND:	DC-5 MHz
PASSBAND LOSS:	< 1.0 dB
PASSBAND FLATNESS:	< 0.5 dB
VSWR:	1.5:1
60 dB REJECTION:	12->100 MHz

COPY



Confidential and Proprietary information of ComNav Engineering Inc. Do Not Duplicate or Use Without Permission. ComNav Engineering Inc. claims Copyright in this document as of the Creation, last revision, and last updated dates. All Rights Reserved.



NOTES:

RECOMMENDED ATTACHMENT METHOD: SILVER EPOXY OR REFLOW NOT TO EXCEED AS INDICATED BELOW:

TEMP.(°C)	MAX.TIME(SEC)
215	90
230	60
245	30
260	15

ENGLISH / METRIC ENGLISH	CHECKED BY						
TOLERANCES UNLESS OTHERWISE SPECIFIED MACHINED SURFACES TO BE 125 / OR BETTER REMOVE ALL BURRS	DRAWN BY PBF	II	12NOV03	MJG	DEV.	INI.	ISS. PER 2136
ENGLISH (INCHES) .XX ±.02 .XXX ±.010	METRIC (MM) .X ±.5 .XX ±.25	SCALE 2:1	APPLIC: LC COAXIAL FILTER	REV	DATE	BY	DCN No.
ANGLES ± 0° 30'	DATE 21NOV03	TITLE: 4LLC1-8/Z100-L	REMARKS				
	FINISH: BOARD: NI/AU JACKET: NI/SILVER	DRAWING No. OL0499	SHEET OF 1 1				