

2

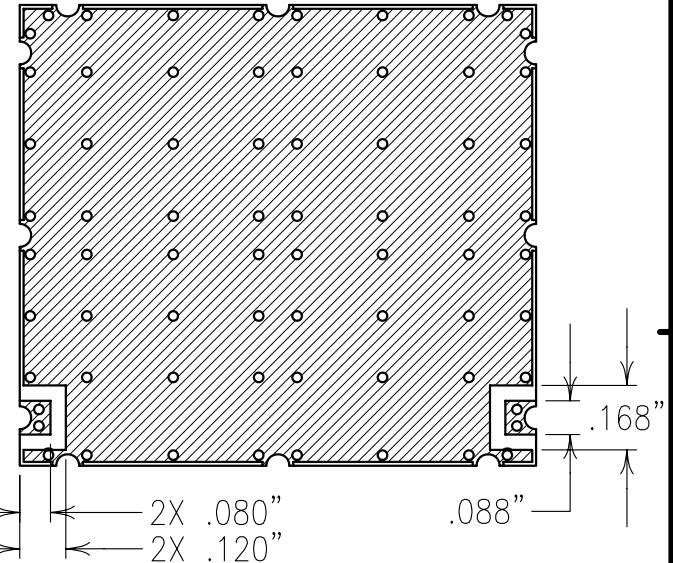
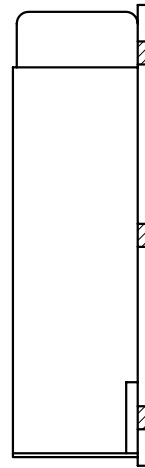
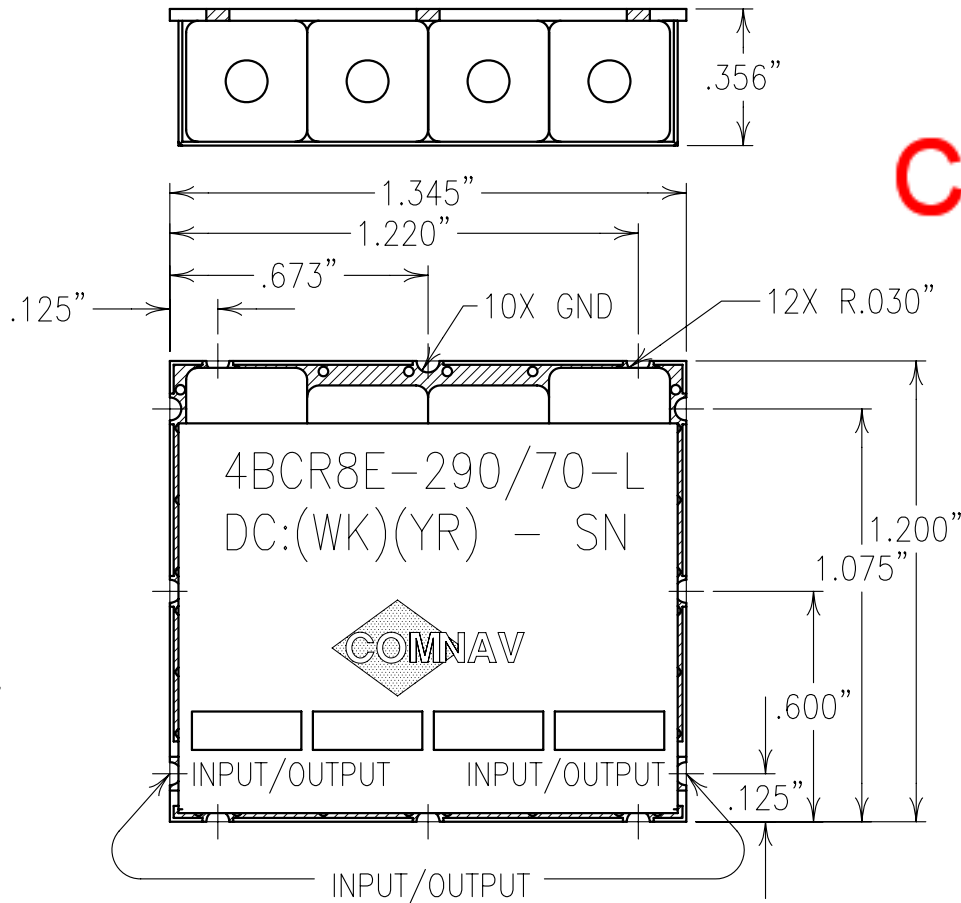
1

COPY

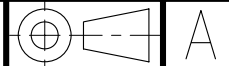
ELECTRICAL CHARACTERISTICS

CENTER FREQUENCY: 290 MHz
 3 dB BANDWIDTH: 70 MHz NOM
 PASSBAND: 260-320 MHz
 LOSS: < 1.0 dB
 FLATNESS: < 0.5 dB
 VSWR: 1.7:1
 40 dB REJECTION: 180, 400 MHz

B



Confidential and Proprietary information of ComNav Engineering Inc. Do Not Duplicate or Use Without Permission. ComNav Engineering Inc. claims Copyright in this document as of the Creation, last revision, and last updated dates. All Rights Reserved.



NOTES:

RECOMMENDED ATTACHMENT METHOD: SILVER EPOXY
 OR REFLOW NOT TO EXCEED AS INDICATED BELOW:

TEMP.(°C)	MAX.TIME(SEC)
215	90
230	60
245	30
260	15

ENGLISH / METRIC ENGLISH	CHECKED BY					
TOLERANCES UNLESS OTHERWISE SPECIFIED	DRAWN BY	A	02DEC03	MJG	DEV.	GEN. REV. PER 2144
MACHINED SURFACES TO BE 125 / OR BETTER	ENGINEER	II	12NOV03	MJG	DEV.	INI. ISS. PER 2136
REMOVE ALL BURRS	MJG	REV	DATE	BY	DCN No.	REMARKS
ENGLISH (INCHES)	METRIC (MM)	SCALE	APPLIC: CERAMIC COAXIAL FILTER			
.XX ±.02	.X ±.5	2:1	TITLE: 4BCR8E-290/70-L			
.XXX ±.010	.XX ±.25	DATE	03DEC03			
ANGLES ± 0° 30'	FINISH: BOARD: NI/AU JACKET: NI/SILVER RESONATOR: SILVER		DRAWING No.		SHEET OF 1 1	
COMNAV ENGINEERING INC		0L0498				

A