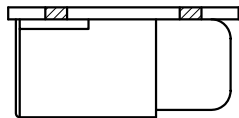


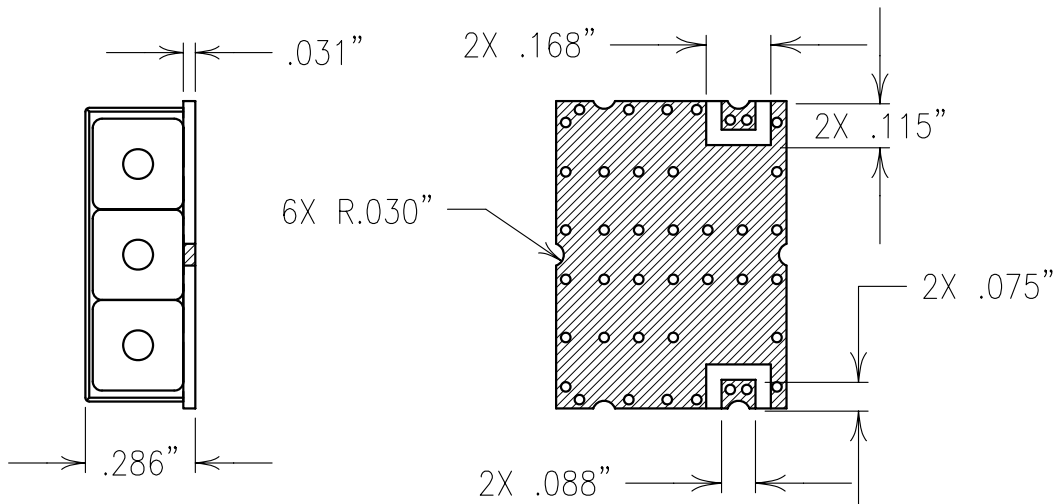
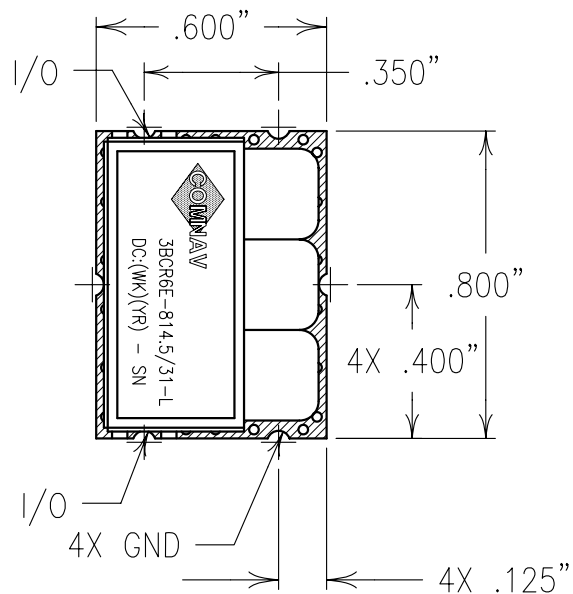
2

1



**COPY**

ELECTRICAL CHARACTERISTICS	
CENTER FREQUENCY:	814.5 MHz
PASSBAND FREQ.:	806-825 MHz
PASSBAND ATTEN.:	<1.5 dB
RIPPLE:	<0.5 dB
PASSBAND VSWR:	1.5:1 MAX.
STOPBAND ATTENUATION:	
1/2 IF:	>10 dB @ 770-789 MHz
IMAGE:	>40 dB @ 662-681 MHz
TX BAND:	>10 dB @ 851-870 MHz
OPERATING TEMP.:	-30° TO +75°C
IMPEDANCE:	50 OHMS



NOTES:  
 FOR RECOMMENDED FOOTPRINT SEE FP0028.  
 RECOMMENDED ATTACHMENT METHOD: SILVER EPOXY  
 OR REFLOW NOT TO EXCEED AS INDICATED BELOW:  
 TEMP.(°C) MAX.TIME(SEC)

215	90
230	60
245	30
260	15

Confidential and Proprietary information of ComNav Engineering Inc. Do Not Duplicate or Use Without Permission. ComNav Engineering Inc. claims Copyright in this document as of the Creation, last revision, and last updated dates. All Rights Reserved.								A	
ENGLISH / METRIC ENGLISH		CHECKED BY							
TOLERANCES UNLESS OTHERWISE SPECIFIED		DRAWN BY		PBF					
MACHINED SURFACES TO BE 125 / OR BETTER		ENGINEER		MJC		DEV.		INI. ISS. PER 2121	
REMOVE ALL BURRS		REV		DATE		BY		DCN No. REMARKS	
ENGLISH (INCHES)		METRIC (MM)		SCALE		APPLIC: CERAMIC COAXIAL FILTER			
.XX ±.02		.X ±.5		DATE		TITLE: 3BCR6E-814.5/31-L			
.XXX ±.010		.XX ±.25		130CT03					
ANGLES ± 0° 30'		FINISH:		BOARD: NI/AU PLATED COPPER				DRAWING No.	
		JACKET: NI/SILVER				0L0486			
		RESONATOR: SILVER				SHEET OF 1 1			