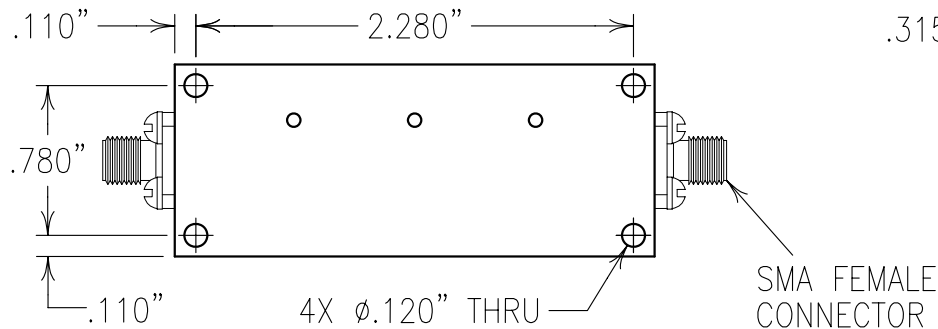
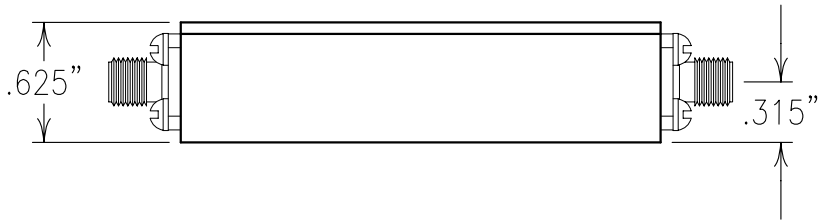
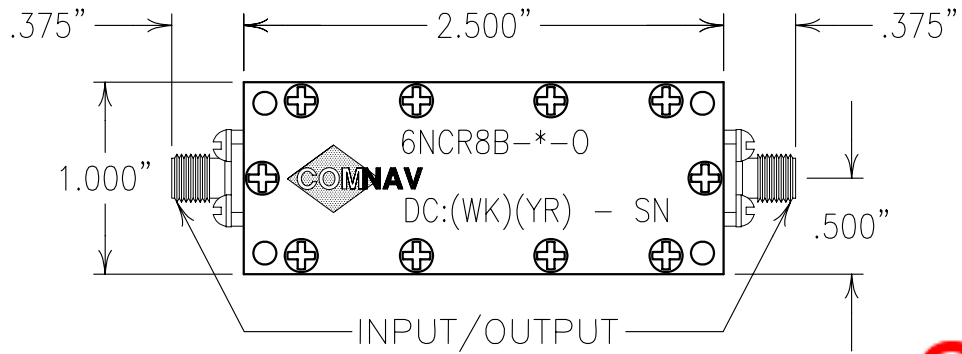


2

1



COPY

ELECTRICAL CHARACTERISTICS

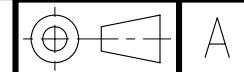
BAND 1	
PASSBAND:	2401-2421 MHz
LOSS @ 2401:	< 1.0 dB
LOSS @ 2412:	< 1.5 dB
LOSS @ 2421:	< 4.5 dB
REJECTION @ 2428-2448:	40 dB

BAND 6L	
PASSBAND:	2426-2446 MHz
LOSS @ 2426:	< 1.0 dB
LOSS @ 2437:	< 1.5 dB
LOSS @ 2446:	< 4.5 dB
REJECTION @ 2453-2473:	40 dB

BAND 6H	
PASSBAND:	2428-2448 MHz
LOSS @ 2428:	< 4.5 dB
LOSS @ 2437:	< 1.5 dB
LOSS @ 2448:	< 1.0 dB
REJECTION @ 2401-2421:	40 dB

BAND 11	
PASSBAND:	2453-2473 MHz
LOSS @ 2453:	< 4.5 dB
LOSS @ 2462:	< 1.5 dB
LOSS @ 2473:	< 1.0 dB
REJECTION @ 2426-2446:	40 dB

ALL BANDS VSWR: < 1.7:1



Confidential and Proprietary information of ComNav Engineering Inc. Do Not Duplicate or Use Without Permission. ComNav Engineering Inc. claims Copyright in this document as of the Creation, last revision, and last updated dates. All Rights Reserved.

NOTES:

ENGLISH / METRIC ENGLISH	CHECKED BY				
TOLERANCES UNLESS OTHERWISE SPECIFIED MACHINED SURFACES TO BE 125 / OR BETTER REMOVE ALL BURRS	DRAWN BY PBF				
	ENGINEER MJG	II	01OCT03	MJG	DEV.
		REV	DATE	BY	DCN No.
ENGLISH (INCHES) .XX ±.01 .XXX ±.005 ANGLES ± 0° 30'	METRIC (MM) .X ±.2 .XX ±.13	SCALE 1:1	APPLIC: CERAMIC COAXIAL FILTER		
		DATE 08OCT03	TITLE: 6NCR8B-* -0		
		MATERIAL: COVER: ALUMINUM BASE: ALUMINUM	DRAWING No.		SHEET OF 1 1
		FINISH: COVER: NICKEL PLATE BASE: NICKEL PLATE	010484		