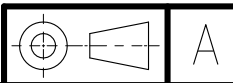
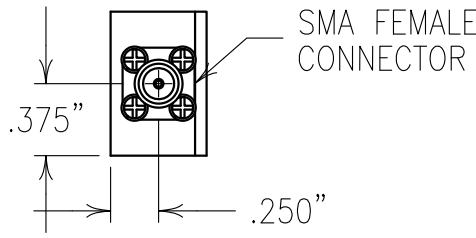
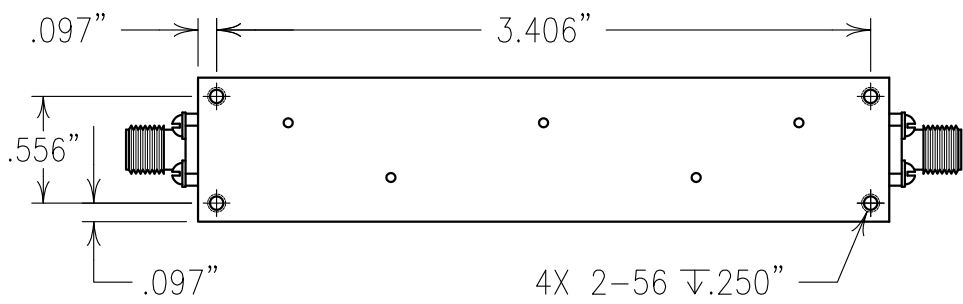


ELECTRICAL CHARACTERISTICS

CENTER FREQUENCY:	300 MHz
3 dB BANDWIDTH:	40 MHz MIN
1 dB BANDWIDTH:	30 MHz MIN
MAX DELAY ACROSS 3 dB:	<100 NSEC
GROUP DELAY FLATNESS:	<20 NSEC ACROSS 1 dB
LOSS @ F0:	<3.0 dB
VSWR:	1.5:1 TYP
45 dB REJECTION:	DC->260
40 dB REJECTION:	330->400 MHz
30 dB REJECTION:	400->2000 MHz

COPY



Confidential and Proprietary information of ComNav Engineering Inc. Do Not Duplicate or Use Without Permission. ComNav Engineering Inc. claims Copyright in this document as of the Creation, last revision, and last updated dates. All Rights Reserved.

NOTES:

ENGLISH / METRIC ENGLISH	CHECKED BY B	01JUL13	JMD	DEV.	GEN. REV. PER 3676
TOLERANCES UNLESS OTHERWISE SPECIFIED MACHINED SURFACES TO BE 125 / OR BETTER REMOVE ALL BURRS	DRAWN BY PBF	A	28OCT03	TLA	DEV. GEN. REV. PER 2130
	ENGINEER KJR	II	14AUG03	MJG	DEV. INI. ISS. PER 2098
	REV	DATE	BY	DCN No.	REMARKS
ENGLISH (INCHES) .XX ±.01 .XXX ±.005 ANGLES ± 0° 30'	METRIC (MM) .X ±.2 .XX ±.13	SCALE 1:1	APPLIC: CERAMIC COAXIAL FILTER		
	DATE 12JUL13	TITLE: 11BLC1-300/40-0			
COMNAV ENGINEERING INC.	MATERIAL: COVER: ALUMINUM BASE: ALUMINUM FINISH: COVER: BRIGHT SILVER BASE: BRIGHT SILVER			DRAWING No. 0L0483	
				SHEET OF 1 1	