

ELECTRICAL CHARACTERISTICS

2.4 GHz ISM PORT:
 PASSBAND: 2400-2500 MHz
 PASSBAND LOSS: <2.0 dB
 40 dBc REJECTION: 800-1990 MHz
 5150-5850 MHz

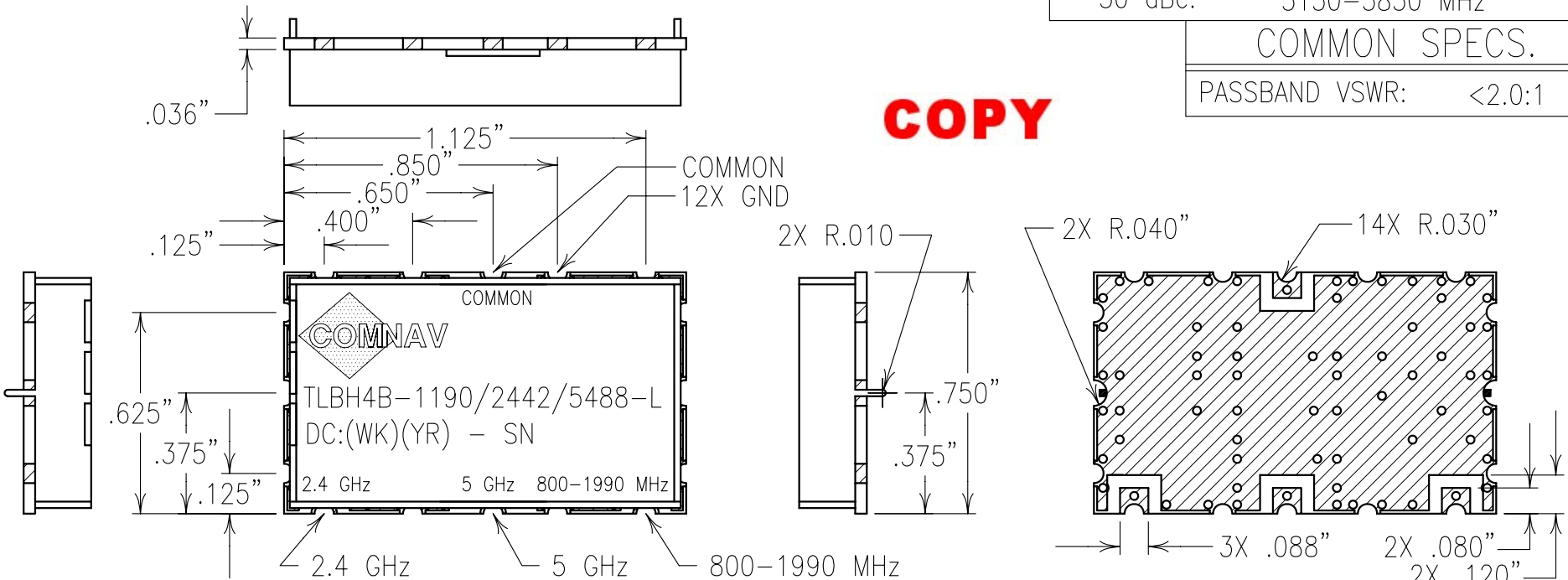
5 GHz PORT:
 PASSBAND: 5150-5850 MHz
 PASSBAND LOSS: <2.5 dB MAX
 40 dBc REJECTION: 800-1990 MHz
 2400-2500 MHz

AMPS/PCS PORT:
 PASSBAND: 800-1990 MHz
 PASSBAND LOSS: <2.0 dB
 REJECTION:
 30 dBc: 2400-2500 MHz
 30 dBc: 5150-5850 MHz

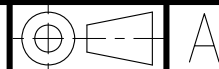
COMMON SPECS.

PASSBAND VSWR: <2.0:1

COPY



Confidential and Proprietary information of ComNav Engineering Inc. Do Not Duplicate or Use Without Permission. ComNav Engineering Inc. claims Copyright in this document as of the Creation, last revision, and last updated dates. All Rights Reserved.



ENGLISH / METRIC ENGLISH	CHECKED BY	F	09AUG06	MJG	DEV.	GEN. REV. PER 2548
TOLERANCES UNLESS OTHERWISE SPECIFIED MACHINED SURFACES TO BE 125 OR BETTER REMOVE ALL BURRS	DRAWN BY	E	07APR05	SCP	DEV.	GEN. REV. PER 2355
	ENGINEER	D	16MAR05	SCP	DEV.	GEN. REV. PER 2348
	REV	DATE	BY	DCN No.	REMARKS	

NOTES:

ENGLISH (INCHES) .XX ±.02 .XXX ±.010	METRIC (MM) .X ±.25 .XX ±.13	SCALE 2:1	APPLIC: CERAMIC COAXIAL FILTER
ANGLES ± 0° 30'	DATE 09AUG06	TITLE: TLBH4B-1190/2442/5488-L	
	FINISH: JACKET: NI/SILVER RESONATOR: SILVER BOARD: NICKEL/GOLD	DRAWING No. OL0481	SHEET OF 1 1