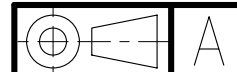
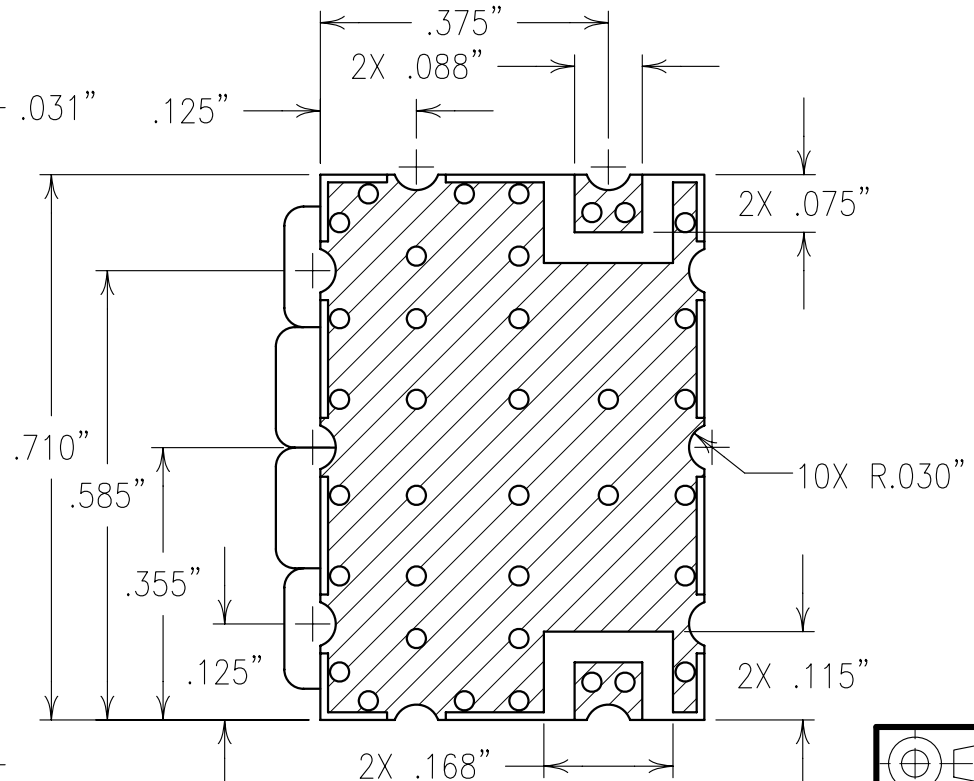
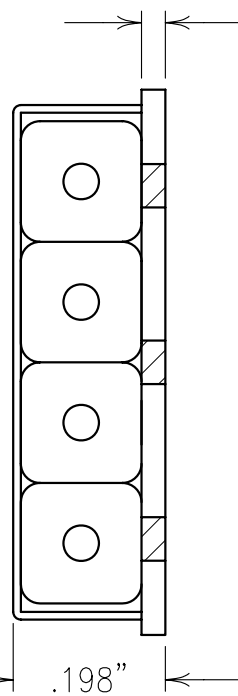
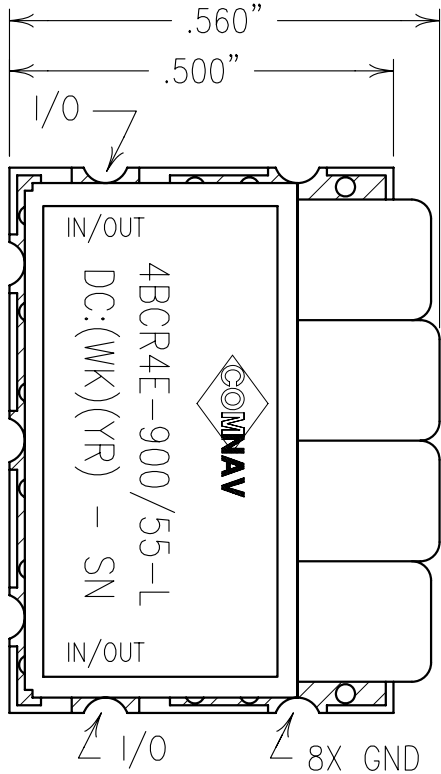


**COPY**



Confidential and Proprietary information of ComNav Engineering Inc. Do Not Duplicate or Use Without Permission. ComNav Engineering Inc. claims Copyright in this document as of the Creation, last revision, and last updated dates. All Rights Reserved.

NOTES:

FOR RECOMMENDED FOOTPRINT SEE FP0010.

RECOMMENDED ATTACHMENT METHOD: SILVER EPOXY OR REFLOW NOT TO EXCEED AS INDICATED BELOW:

TEMP.(°C)	MAX. TIME(SEC)
215	90
230	60
245	30
260	15

ELECTRICAL CHARACTERISTICS

CENTER FREQUENCY	900 MHz	REJECTION	
3 dB BANDWIDTH	55 MHz NOM.	DC-> 830 MHz	>35 dB
PASSBAND	875-925 MHz	970 -> 2300 MHz	>35 dB
PASSBAND LOSS	<3.0 dB	IMPEDANCE(IN/OUT)	50 OHMS
		VSWR(IN/OUT)	<1.5:1

ENGLISH / METRIC ENGLISH	CHECKED BY				
TOLERANCES UNLESS OTHERWISE SPECIFIED	DRAWN BY	A	18SEP03	MJG	DEV. GEN. REV. PER 2115
MACHINED SURFACES TO BE 125 / OR BETTER	ENGINEER	II	09SEP03	MJG	DEV. INI. ISS. PER 2108
REMOVE ALL BURRS	MJG	REV	DATE	BY	DCN No. REMARKS
ENGLISH (INCHES)	METRIC (MM)	SCALE	APPLIC: CERAMIC COAXIAL FILTER		
.XX ±.02	.X ±.25	4:1	TITLE: 4BCR4E-900/55-L		
.XXX ±.010	.XX ±.13	DATE	18SEP03		
ANGLES ± 0° 30'		FINISH:	BOARD: NI/AU PLATED COPPER		DRAWING No. 010478
		JACKET: NI/SILVER	RESONATOR: SILVER		SHEET OF 1 1