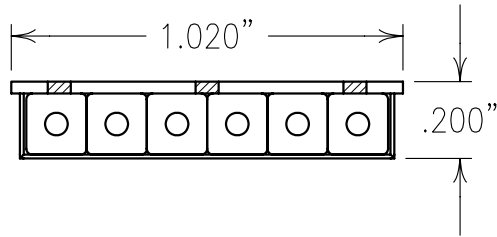


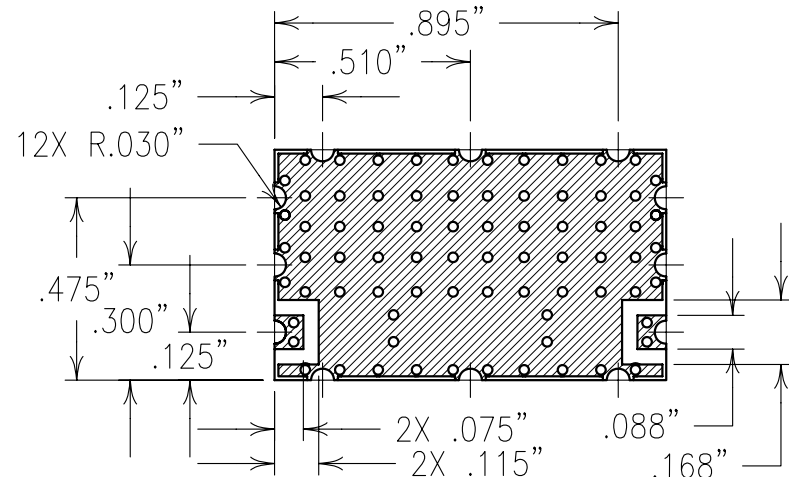
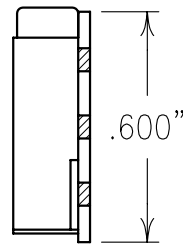
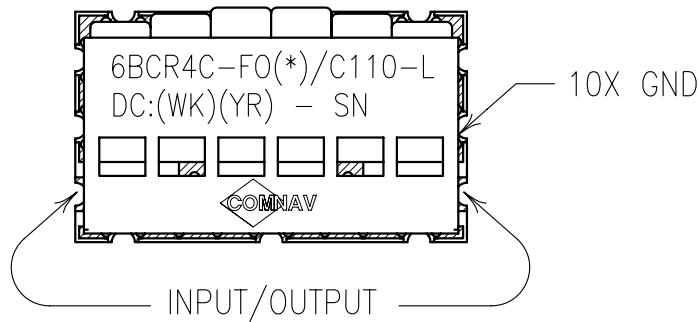
2

1



PART NUMBERS	ELECTRICAL CHARACTERISTICS
6BCR4C-1124/C110-L	CENTER FREQUENCY: 1124, 1220 OR 1316 MHz
6BCR4C-1220/C110-L	3 dB BANDWIDTH: 110 MHz NOM
6BCR4C-1316/C110-L	PASSBAND: FO±48 MHz
	LOSS: 2.5 dB MAX
	FLATNESS: <1.8 dB
	VSWR: 1.7:1
	50 dBc REJECTION (55 GOAL):
	DC->FO-96 MHz
	FO+96 -> 3400 MHz

COPY



NOTES:
 FOR RECOMMENDED FOOTPRINT SEE FP0086.
 RECOMMENDED ATTACHMENT METHOD: SILVER EPOXY
 OR REFLOW NOT TO EXCEED AS INDICATED BELOW:
 TEMP.(°C) MAX.TIME(SEC)

215	90
230	60
245	30
260	15

Confidential and Proprietary information of ComNav Engineering Inc. Do Not Duplicate or Use Without Permission. ComNav Engineering Inc. claims Copyright in this document as of the Creation, last revision, and last updated dates. All Rights Reserved.								A
ENGLISH / METRIC ENGLISH	CHECKED BY	B	06OCT03	MJG	DEV.	GEN. REV. PER 2119		
TOLERANCES UNLESS OTHERWISE SPECIFIED	DRAWN BY	A	28AUG03	PBF	DEV.	GEN. REV. PER 2104		
MACHINED SURFACES TO BE 125 / OR BETTER	ENGINEER	II	26AUG03	MJG	DEV.	INI. ISS. PER 2103		
REMOVE ALL BURRS	REVISIONS	REV	DATE	BY	DCN No.	REMARKS		
ENGLISH (INCHES)	METRIC (MM)	SCALE	APPLIC: CERAMIC COAXIAL FILTER					
.XX ±.02	.X ±.50	DATE	TITLE: 6BCR4C-FO(*)/C110-L					
.XXX ±.010	.XX ±.25	06OCT03						
ANGLES ± 0° 30'	FINISH:		BOARD: NI/AU PLATED COPPER			DRAWING No.		SHEET OF 1 1
		JACKET: NI/SILVER			0L0476			
		RESONATOR: SILVER						