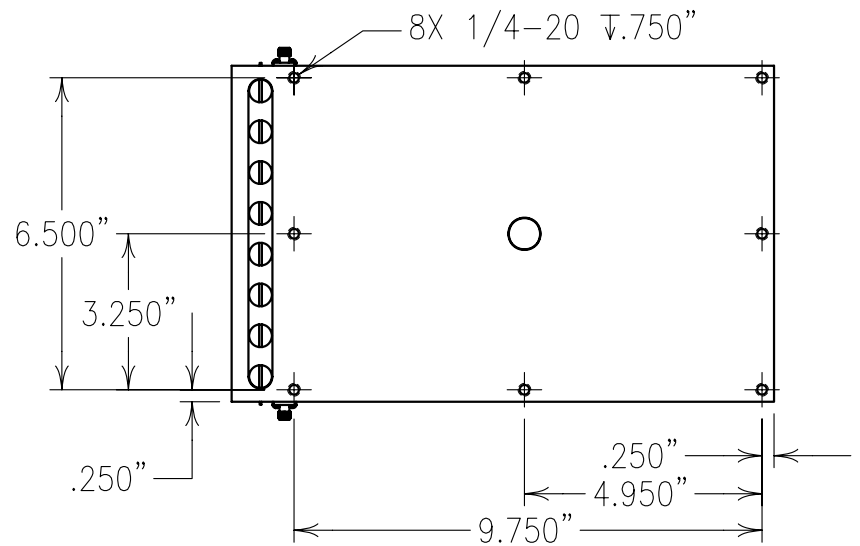
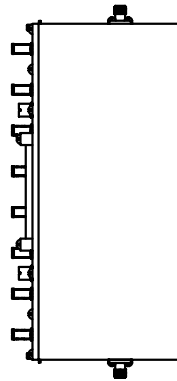
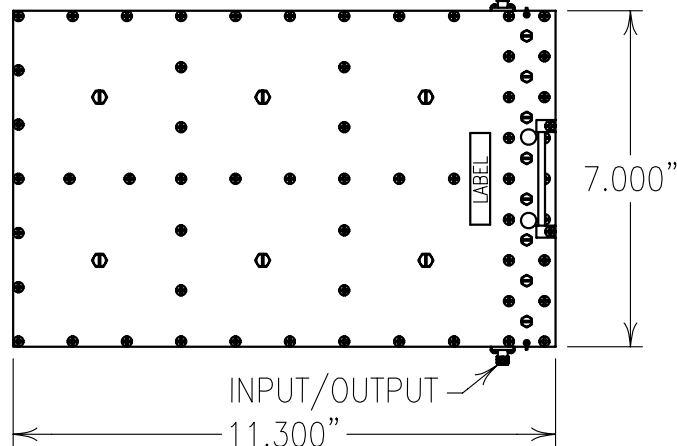


**COPY**

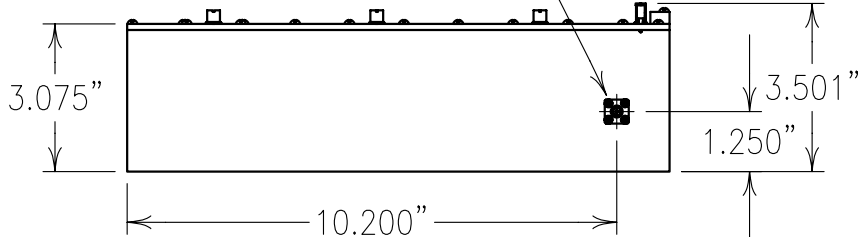
PRELIMINARY ELECTRICAL SPECIFICATIONS

WIDE BAND FILTER	NARROW BAND FILTER
CENTER FREQUENCY: 829.5, 874.5 MHz	CENTER FREQUENCY: 845.8, 890.8 MHz
PASSBAND: $FO \pm 5.5$ MHz	PASSBAND: $FO \pm 0.8$ MHz
PASSBAND LOSS: <3.5 dB	PASSBAND LOSS: <3.0 dB
PASSBAND FLATNESS: <2.0 dB	PASSBAND FLATNESS: <1.0 dB
PASSBAND VSWR: 1.5:1	PASSBAND VSWR: 1.5:1
30 dBc REJECTION: $FO \pm 8.5$ MHz	30 dBc REJECTION: $FO \pm 1.75$ MHz

INPUT/OUTPUT



2X FEMALE SMA CONNECTOR



NOTES:

LABEL: COMNAV ENGINEERING, INC.  
 COMNAV PART #  
 REVISION LEVEL  
 SERIAL NUMBER AND DATE CODE

Confidential and Proprietary information of ComNav Engineering Inc. Do Not Duplicate or Use Without Permission. ComNav Engineering Inc. claims Copyright in this document as of the Creation, last revision, and last updated dates. All Rights Reserved.

ENGLISH / METRIC ENGLISH		CHECKED BY						A	
TOLERANCES UNLESS OTHERWISE SPECIFIED		DRAWN BY		PBF					
MACHINED SURFACES TO BE 125 OR BETTER		ENGINEER		MJC		18JUN03		MJC DEV. INI. ISS. PER 2089	
REMOVE ALL BURRS		REV		DATE		BY		DCN No. REMARKS	
ENGLISH (INCHES)		METRIC (MM)		SCALE		APPLIC: CAVITY FILTER			
.XX ±.02		.X ±.25		1:4					
.XXX ±.010		.XX ±.13		DATE		TITLE: 14DBCv-F1(*)/F2(*)/C12/C2-0			
ANGLES ± 0° 30'		29JUL03							
COMNAV ENGINEERING INC.		MATERIAL: N/A				DRAWING No.		SHEET OF 1 1	
		FINISH: N/A				OL0474			