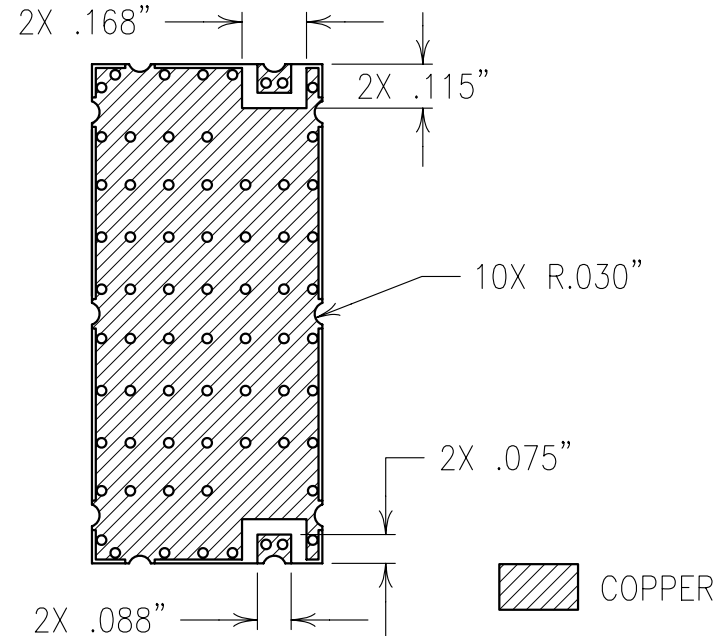
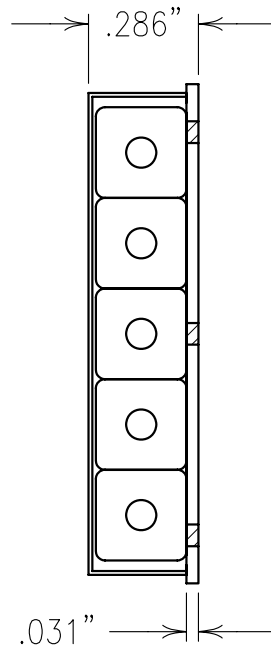
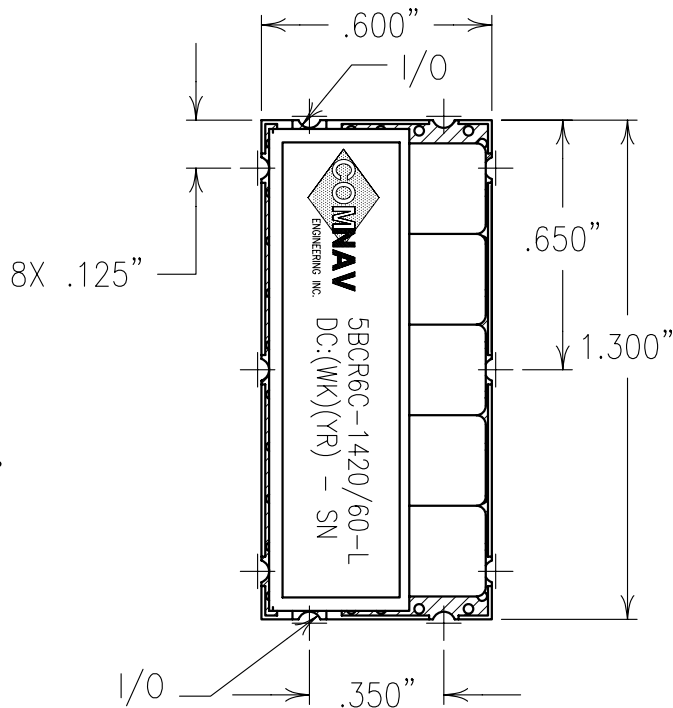


2

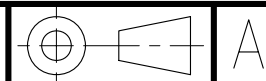
1

COPY

ELECTRICAL CHARACTERISTICS	
CENTER FREQUENCY:	1420 MHz
3 dB BANDWIDTH:	60 MHz -0/+10%
DELAY VAR. FO±10 MHz:	<1.0 NSEC
LOSS @ FO:	<3.0 dB
VSWR:	1.7:1 TYP
30 dB BANDWIDTH:	120 MHz



Confidential and Proprietary information of ComNav Engineering Inc. Do Not Duplicate or Use Without Permission. ComNav Engineering Inc. claims Copyright in this document as of the Creation, last revision, and last updated dates. All Rights Reserved.



NOTES:
 FOR RECOMMENDED FOOTPRINT SEE FP0014.
 RECOMMENDED ATTACHMENT METHOD: SILVER EPOXY
 OR REFLOW NOT TO EXCEED AS INDICATED BELOW:

TEMP.(°C) MAX.TIME(SEC)

215	90
230	60
245	30
260	15

ENGLISH / METRIC ENGLISH	CHECKED BY					
TOLERANCES UNLESS OTHERWISE SPECIFIED MACHINED SURFACES TO BE 125 OR BETTER REMOVE ALL BURRS	DRAWN BY					
	PBF					
ENGLISH (INCHES) .XX ±.02 .XXX ±.01	ENGINEER	II	16JUN03	MJG	DEV.	INI. ISS. PER 2088
	MJM	REV	DATE	BY	DCN No.	REMARKS
METRIC (MM) .X ±.25 .XX ±.13	SCALE	APPLIC: CERAMIC COAXIAL FILTER				
ANGLES ± 0° 30'	DATE	TITLE: 5BCR6C-1420/60-L				
COMNAV ENGINEERING INC.	FINISH: BOARD: NI/AU	DRAWING No.				SHEET/OF
	JACKET: NI/SILVER	0L0473				1/1
	RESONATOR: SILVER					